

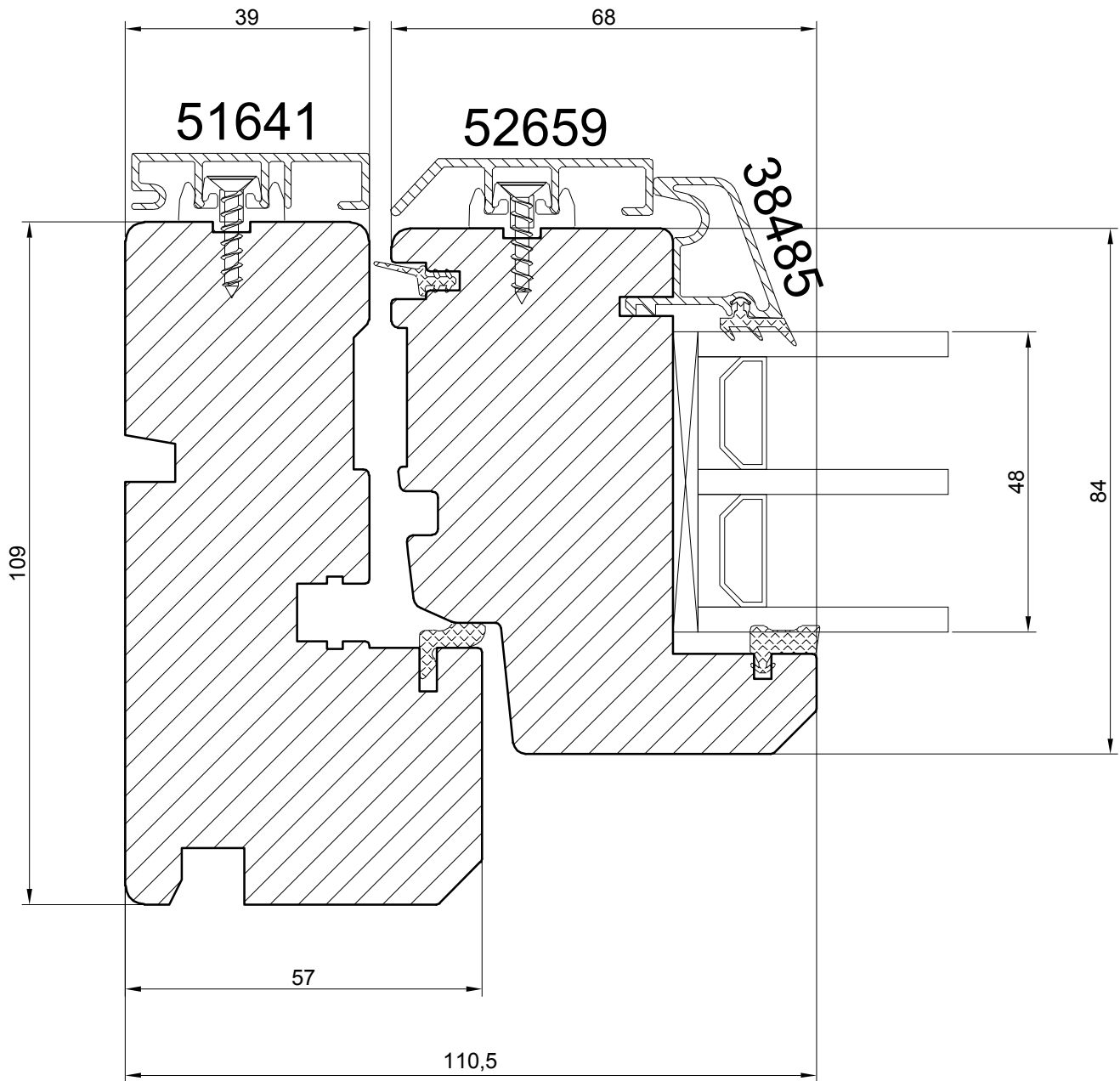
REVERSIBLE PASSIVE WINDOW WITH ALU CLAD

NORWOOD SP.ZO.O.

Ul. Rataja 6, Rusocin
83-031 Łęgowo
+48 692 22 00
biuro@norwood.pl

Description **HSSPA N109 REVERSIBLE WINDOW
HEAD SECTION (48 mm glass)**

Revis.	Date	Size	1:1	Drw.	Date	02.01.2018
Verif.	Date	Drawing n.	HSSPA - 48 - he - 01			

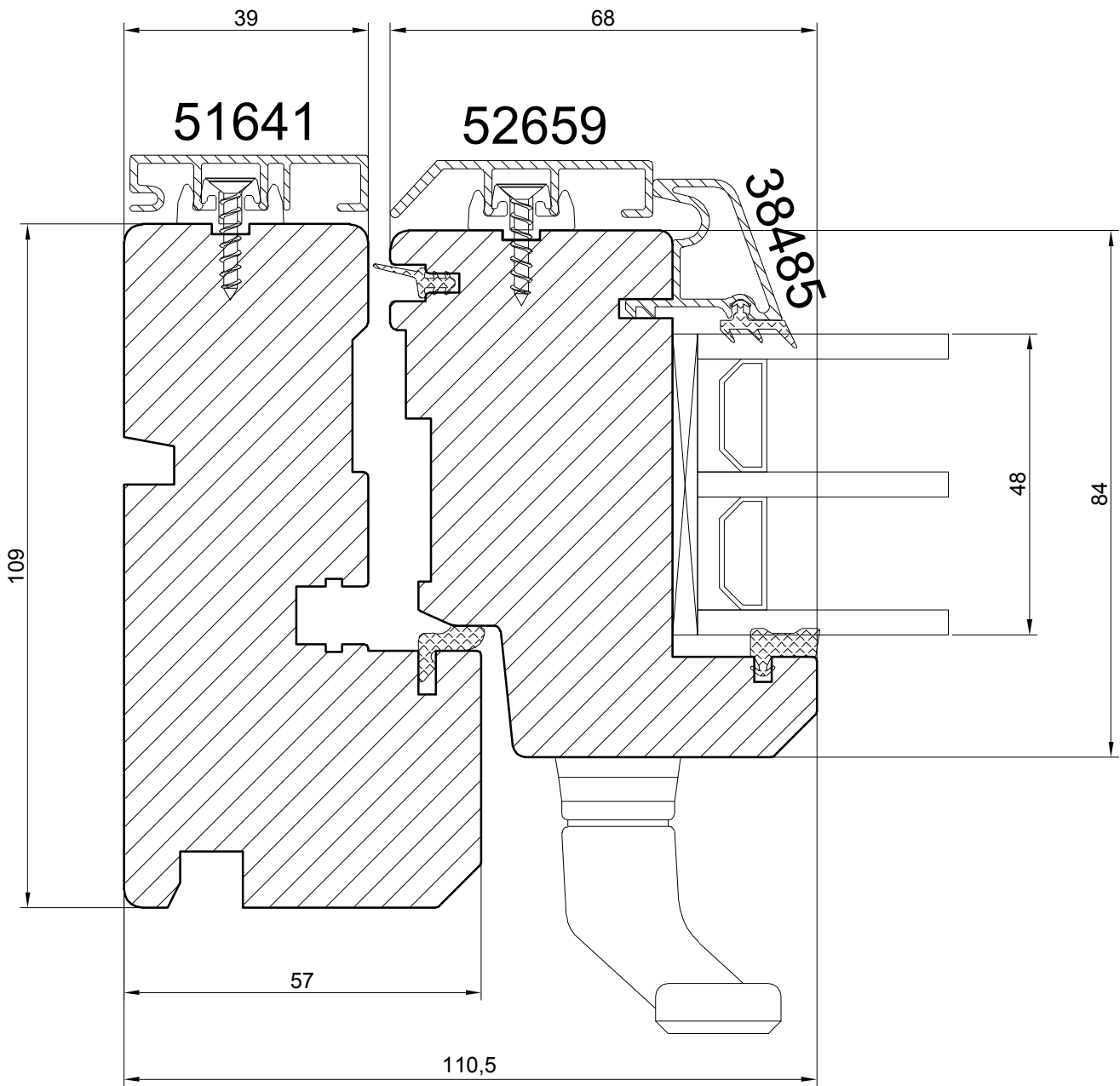


REVERSIBLE PASSIVE WINDOW WITH ALU CLAD

NORWOOD SP.ZO.O.

Ul. Rataja 6, Rusocin
83-031 Łęgowo
+48 692 22 00
biuro@norwood.pl

<i>Description</i>		HSSPA N109 REVERSIBLE WINDOW	
		JAMB SECTION hinge side (48 mm glass)	
<i>Revis.</i>	<i>Date</i>	<i>Size</i> 1:1	<i>Drw.</i> <i>Date</i> 02.01.2018
<i>Verif.</i>	<i>Date</i>	<i>Drawing n.</i> HSSPA - 48 - sch - 01	

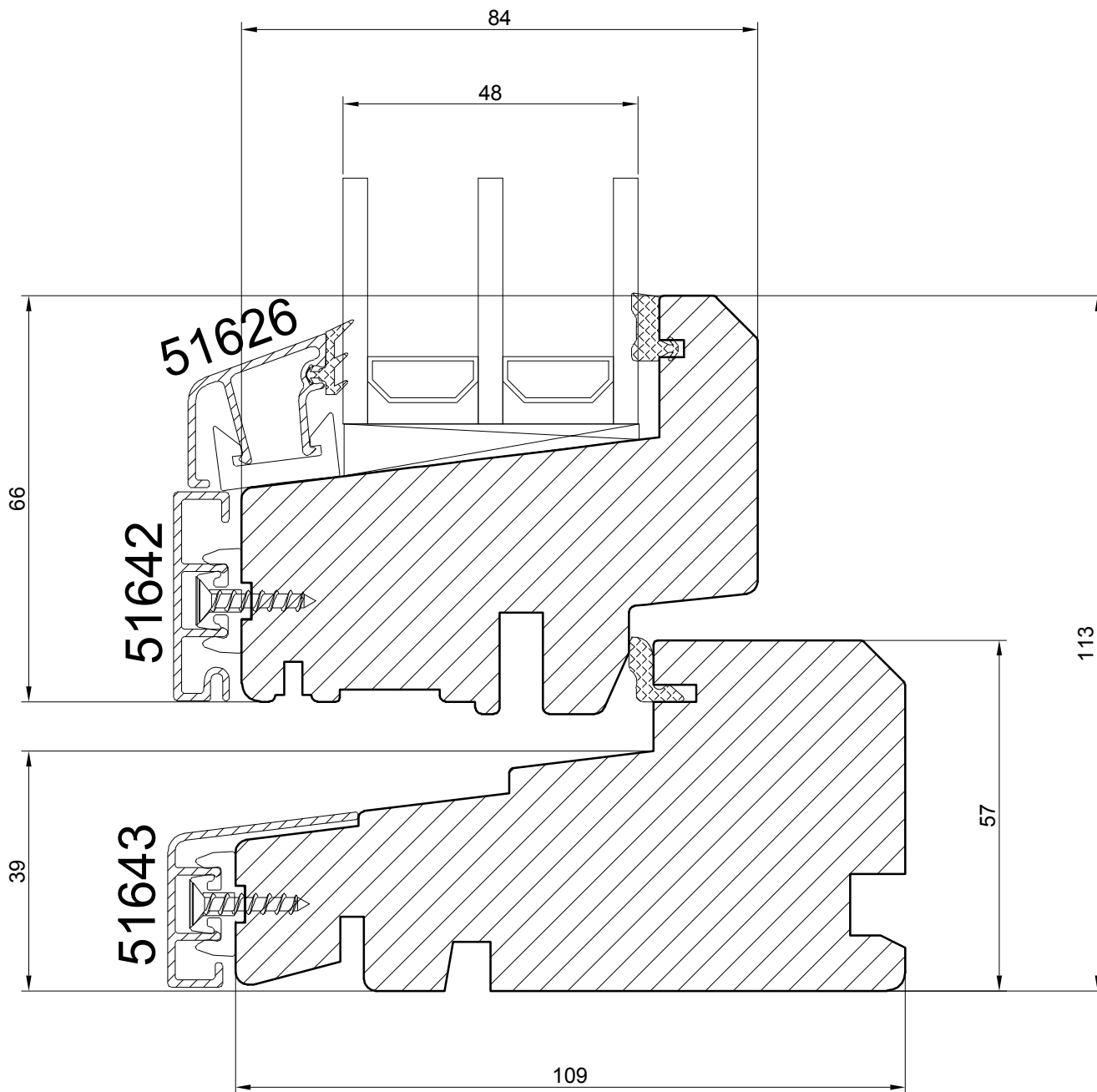


REVERSIBLE PASSIVE WINDOW WITH ALU CLAD

NORWOOD SP.ZO.O.

Ul. Rataja 6, Rusocin
83-031 Łęgowo
+48 692 22 00
biuro@norwood.pl

<i>Description</i>		HSSPA N109 REVERSIBLE WINDOW	
		JAMB SECTION handle side (48 mm glass)	
<i>Revis.</i>	<i>Date</i>	<i>Size</i>	<i>Drw.</i>
		1 : 1	02.01.2018
<i>Verif.</i>	<i>Date</i>	<i>Drawing n.</i>	
		HSSPA - 48 - sel - 01	



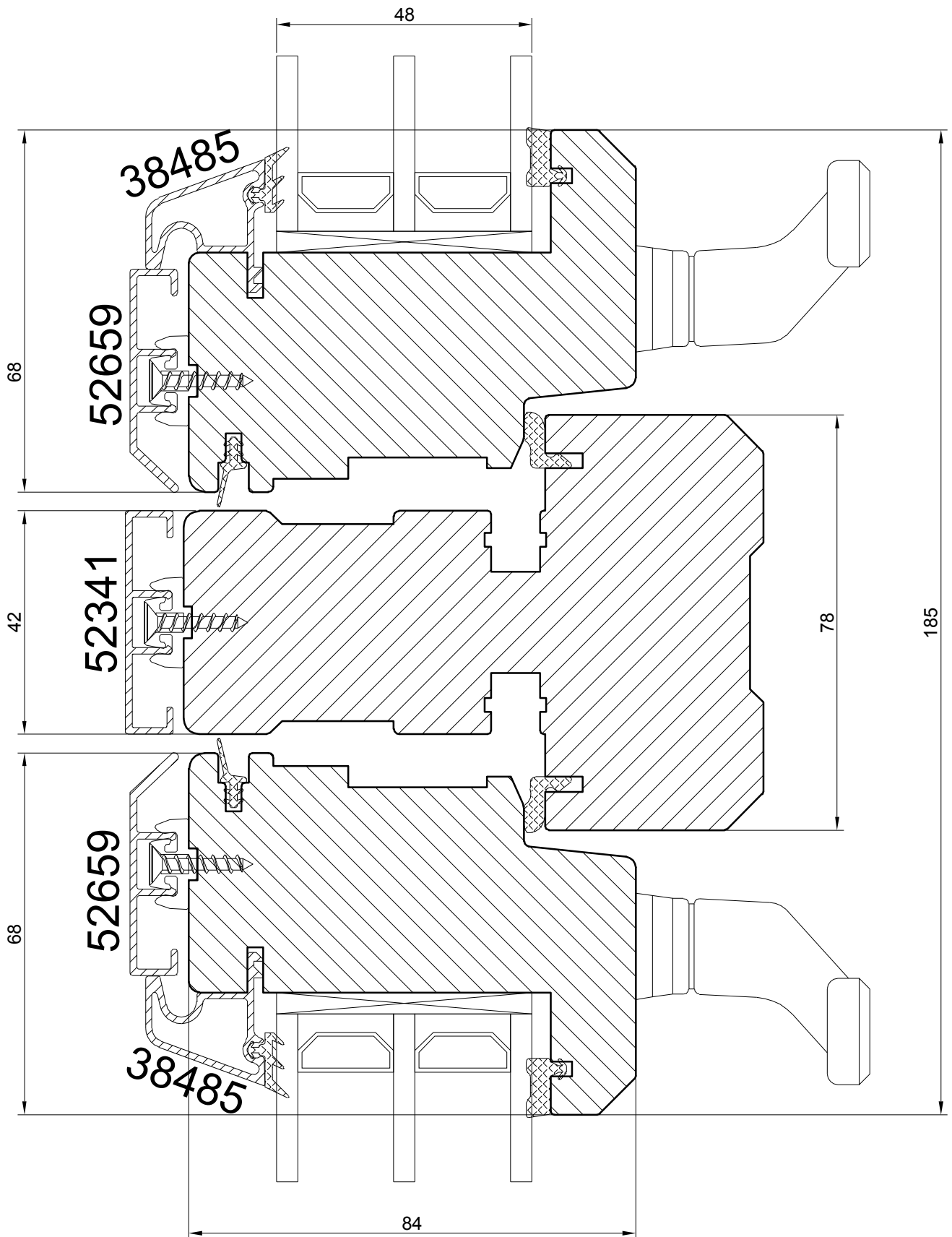
REVERSIBLE PASSIVE WINDOW WITH ALU CLAD

NORWOOD SP.ZO.O.

Ul. Rataja 6, Rusocin
83-031 Łęgowo
+48 692 22 00
biuro@norwood.pl

Description **HSSPA N109 REVERSIBLE WINDOW
SILL SECTION (48 mm glass)**

Revis.	Date	Size	1:1	Drw.	Date	02.01.2018
Verif.	Date	Drawing n.	HSSPA - 48 - sl - 01			



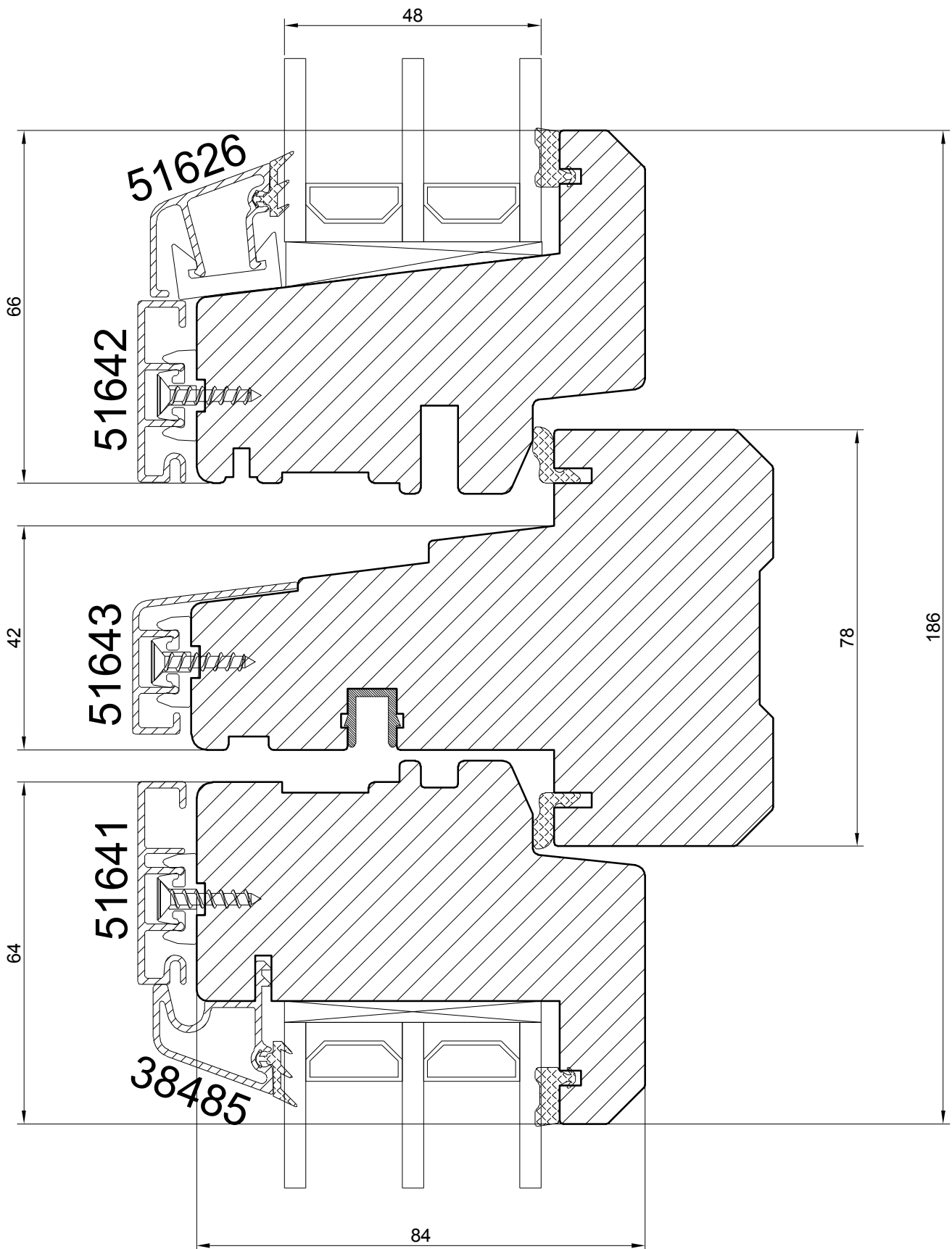
REVERSIBLE PASSIVE WINDOW WITH ALU CLAD

NORWOOD SP.ZO.O.

Ul. Rataja 6, Rusocin
83-031 Łęgowo
+48 692 22 00
biuro@norwood.pl

Description **HSSPA N109 REVERSIBLE WINDOW
MULLION (48 mm glass)**

Revis.	Date	Size	1:1	Drw.	Date	02.01.2018
Verif.	Date	Drawing n. HSSPA - 48 - ml - 01				

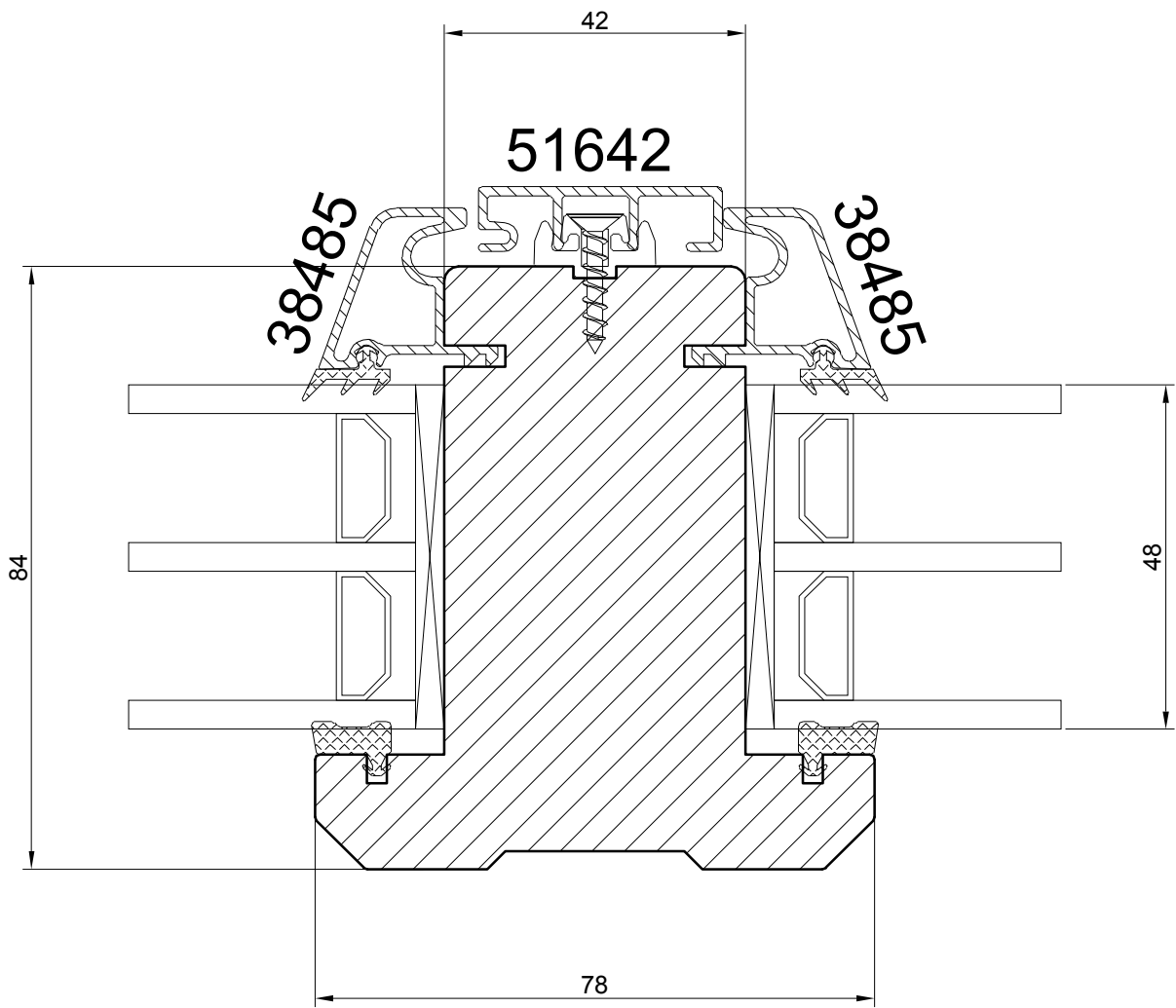


REVERSIBLE PASSIVE WINDOW WITH ALU CLAD

NORWOOD SP.ZO.O.

Ul. Rataja 6, Rusocin
83-031 Łęgowo
+48 692 22 00
biuro@norwood.pl

<i>Description</i>		HSSPA N109 REVERSIBLE WINDOW TRANSOM (48 mm glass)	
<i>Revis.</i>	<i>Date</i>	<i>Size</i> 1:1	<i>Drw.</i> <i>Date</i> 02.01.2018
<i>Verif.</i>	<i>Date</i>	<i>Drawing n.</i> HSSPA - 48 - ts - 01	



REVERSIBLE PASSIVE WINDOW WITH ALU CLAD

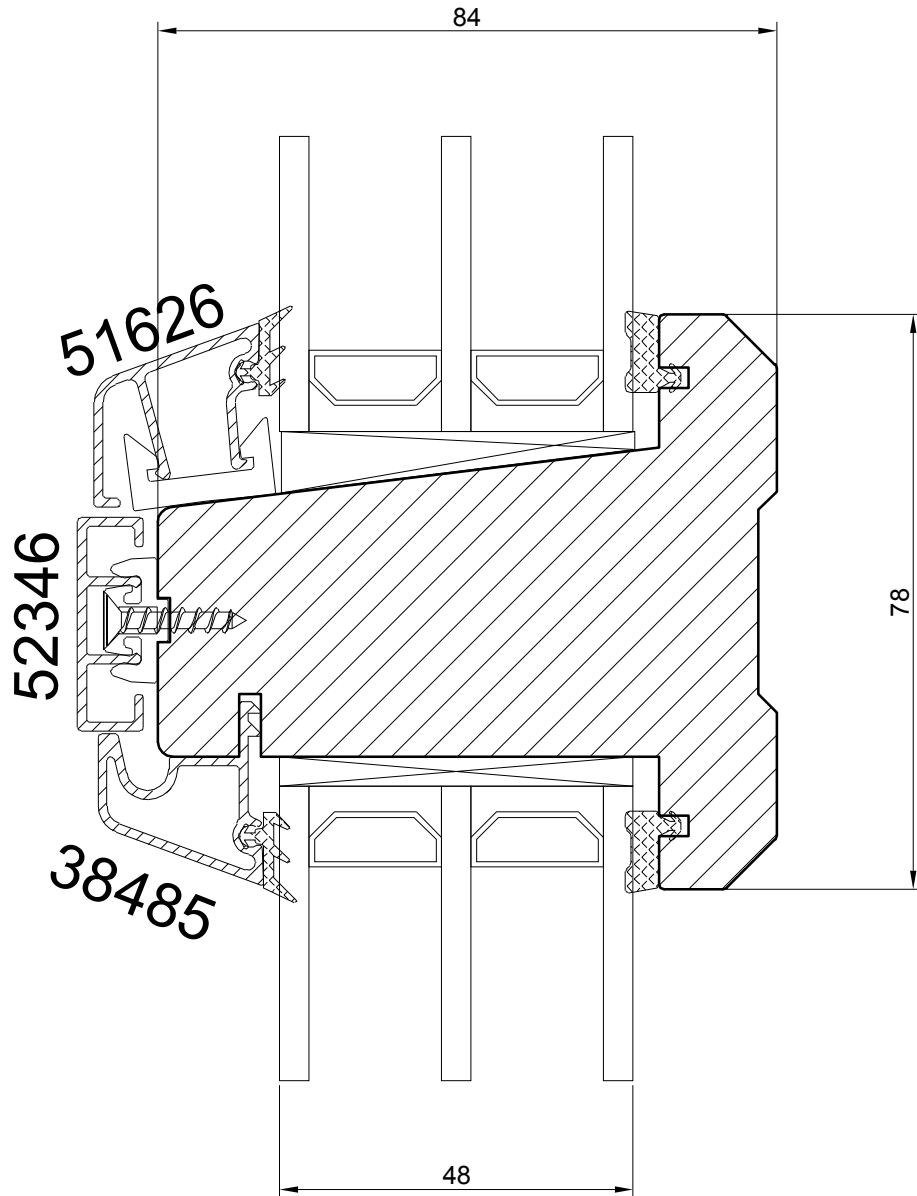
NORWOOD SP.ZO.O.

Ul. Rataja 6, Rusocin
 83-031 Łęgowo
 +48 692 22 00
 biuro@norwood.pl

Description **HSSPA N109 REVERSIBLE WINDOW**

VERTICAL BAR 78 (48 mm glass)

<i>Revis.</i>	<i>Date</i>	<i>Size</i> 1:1	<i>Drw.</i>	<i>Date</i> 02.01.2018
<i>Verif.</i>	<i>Date</i>	<i>Drawing n.</i> HSSPA - 48 - vs78 - 01		



REVERSIBLE PASSIVE WINDOW WITH ALU CLAD

NORWOOD SP.ZO.O.

Ul. Rataja 6, Rusocin
83-031 Łęgowo
+48 692 22 00
biuro@norwood.pl

<i>Description</i>		HSSPA N109 REVERSIBLE WINDOW	
		HORIZONTAL BAR 78 (48 mm glass)	
<i>Revis.</i>	<i>Date</i>	<i>Size</i>	<i>Draw.</i>
		1 : 1	02.01.2018
<i>Verif.</i>	<i>Date</i>	<i>Drawing n.</i>	
		HSSPA - 48 - hs78 - 01	