

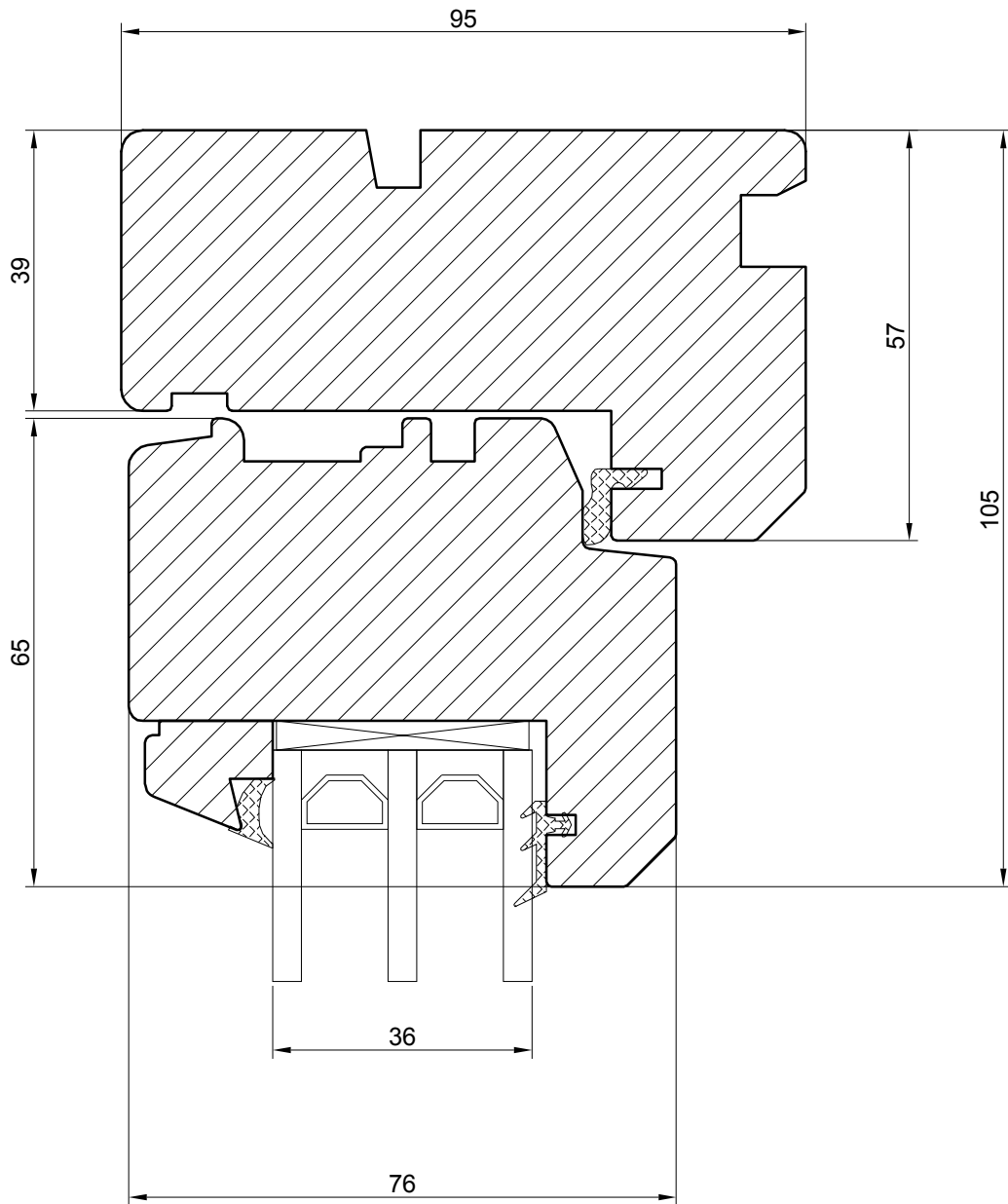
**FULLY REVERSIBLE WINDOW ( OPUS HINGES )**

**NORWOOD SP.ZO.O.**

Ul. Rataja 6, Rusocin  
83-031 Łęgowo  
+48 692 22 00  
biuro@norwood.pl

*Description* **HTSO N95 FULLY REVERSIBLE WINDOW  
HEAD SECTION (24 mm glass)**

|               |             |   |             |                               |
|---------------|-------------|---|-------------|-------------------------------|
| <i>Revis.</i> | <i>Date</i> | <i>Size</i> <b>1:1</b>                        | <i>Drw.</i> | <i>Date</i> <b>02.01.2018</b> |
| <i>Verif.</i> | <i>Date</i> | <i>Drawing no.</i> <b>HTSO - 24 - he - 01</b> |             |                               |



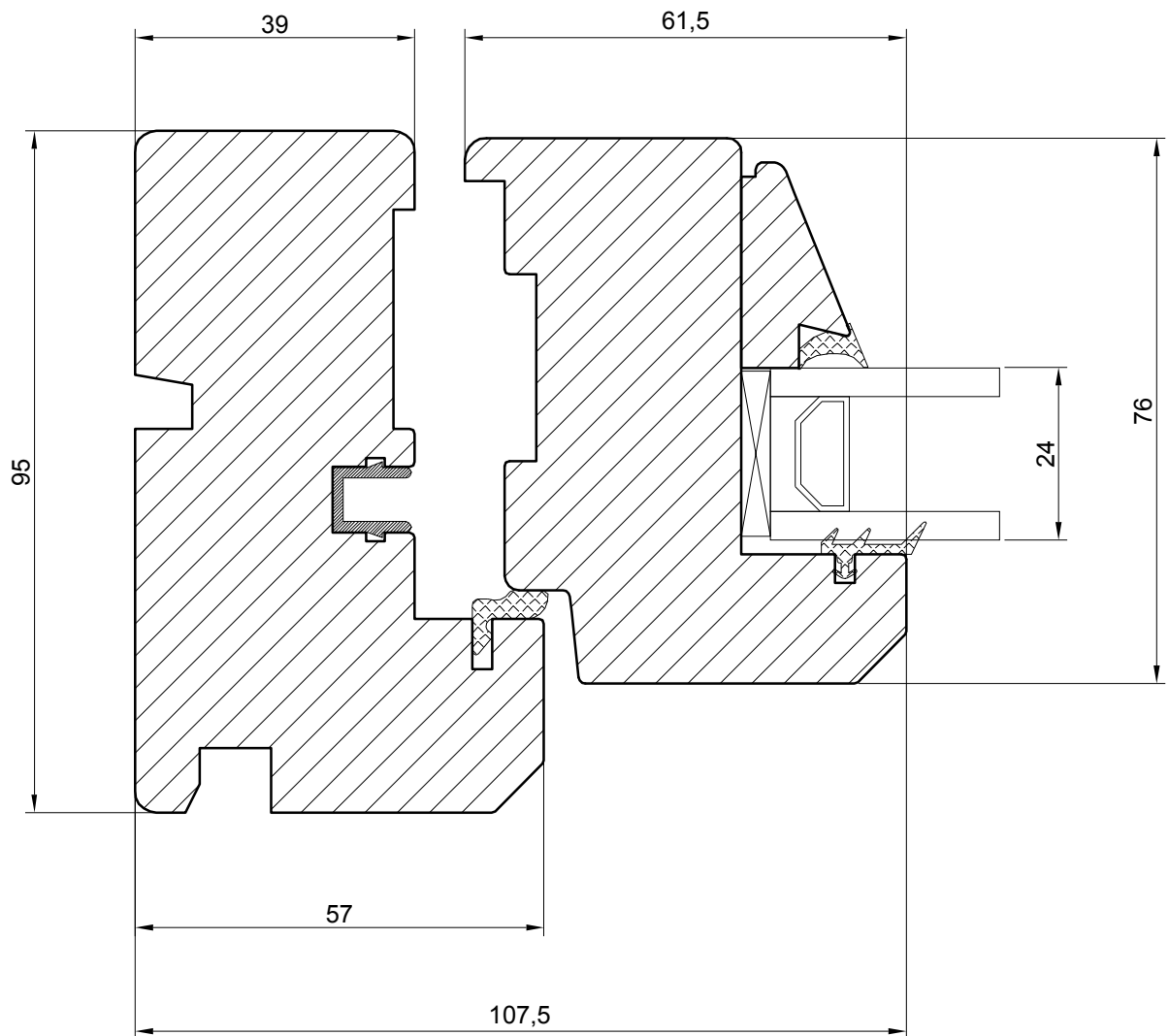
**FULLY REVERSIBLE WINDOW ( OPUS HINGES )**

**NORWOOD SP.ZO.O.**

Ul. Rataja 6, Rusocin  
 83-031 Łęgowo  
 +48 692 22 00  
 biuro@norwood.pl

*Description* **HTSO N95 FULLY REVERSIBLE WINDOW  
 HEAD SECTION (36 mm glass)**

|               |             |   |             |                               |
|---------------|-------------|---|-------------|-------------------------------|
| <i>Revis.</i> | <i>Date</i> | <i>Size</i> <b>1:1</b>                        | <i>Drw.</i> | <i>Date</i> <b>02.01.2018</b> |
| <i>Verif.</i> | <i>Date</i> | <i>Drawing no.</i> <b>HTSO - 36 - he - 01</b> |             |                               |



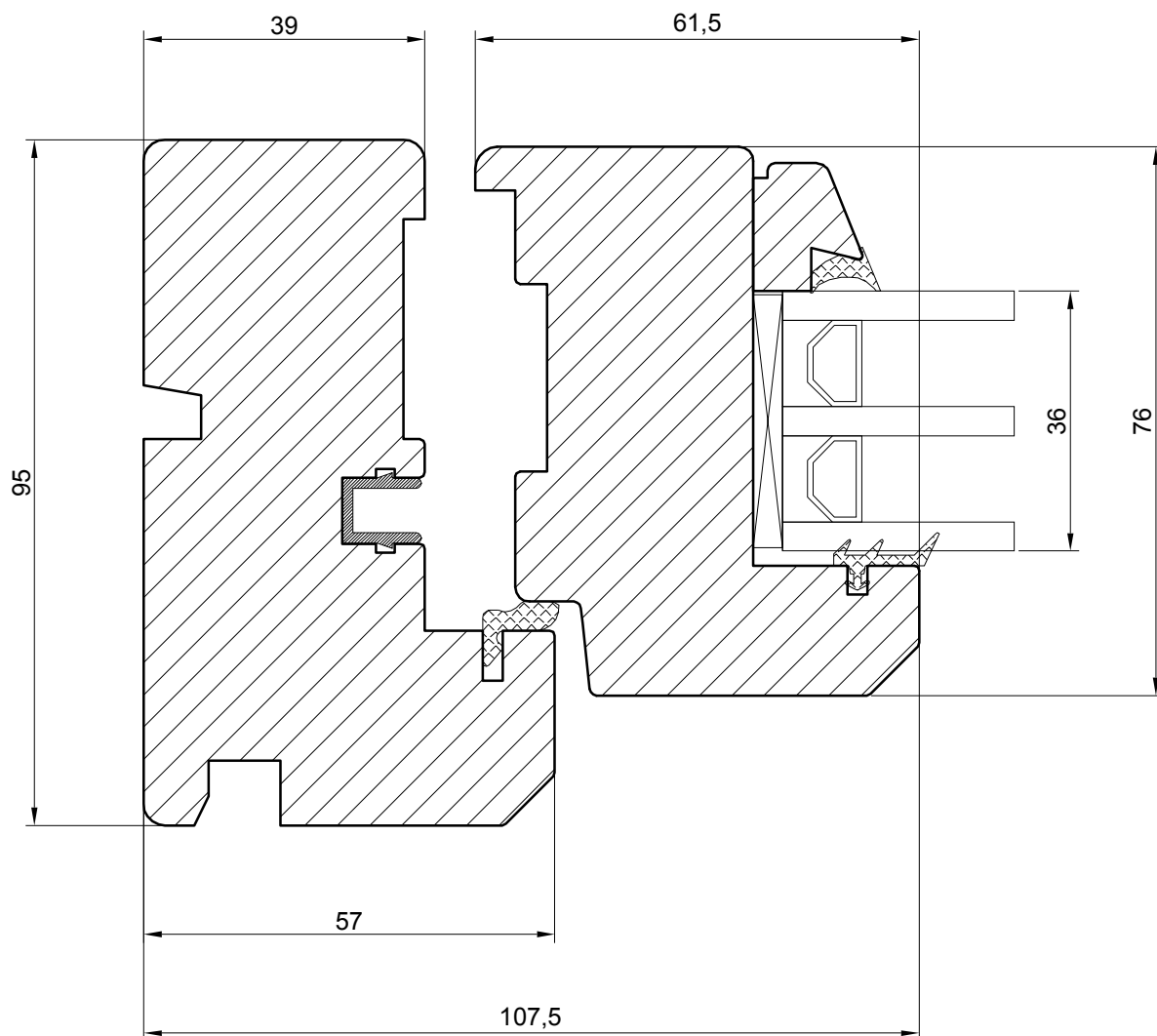
**FULLY REVERSIBLE WINDOW ( OPUS HINGES )**

**NORWOOD SP.ZO.O.**

Ul. Rataja 6, Rusocin  
83-031 Łęgowo  
+48 692 22 00  
biuro@norwood.pl

*Description* **HTSO N95 FULLY REVERSIBLE WINDOW  
JAMB SECTION (24 mm glass)**

|               |             |   |             |                               |
|---------------|-------------|---|-------------|-------------------------------|
| <i>Revis.</i> | <i>Date</i> | <i>Size</i> <b>1:1</b>                        | <i>Drw.</i> | <i>Date</i> <b>02.01.2018</b> |
| <i>Verif.</i> | <i>Date</i> | <i>Drawing no.</i> <b>HTSO - 24 - se - 01</b> |             |                               |



**FULLY REVERSIBLE WINDOW ( OPUS HINGES )**

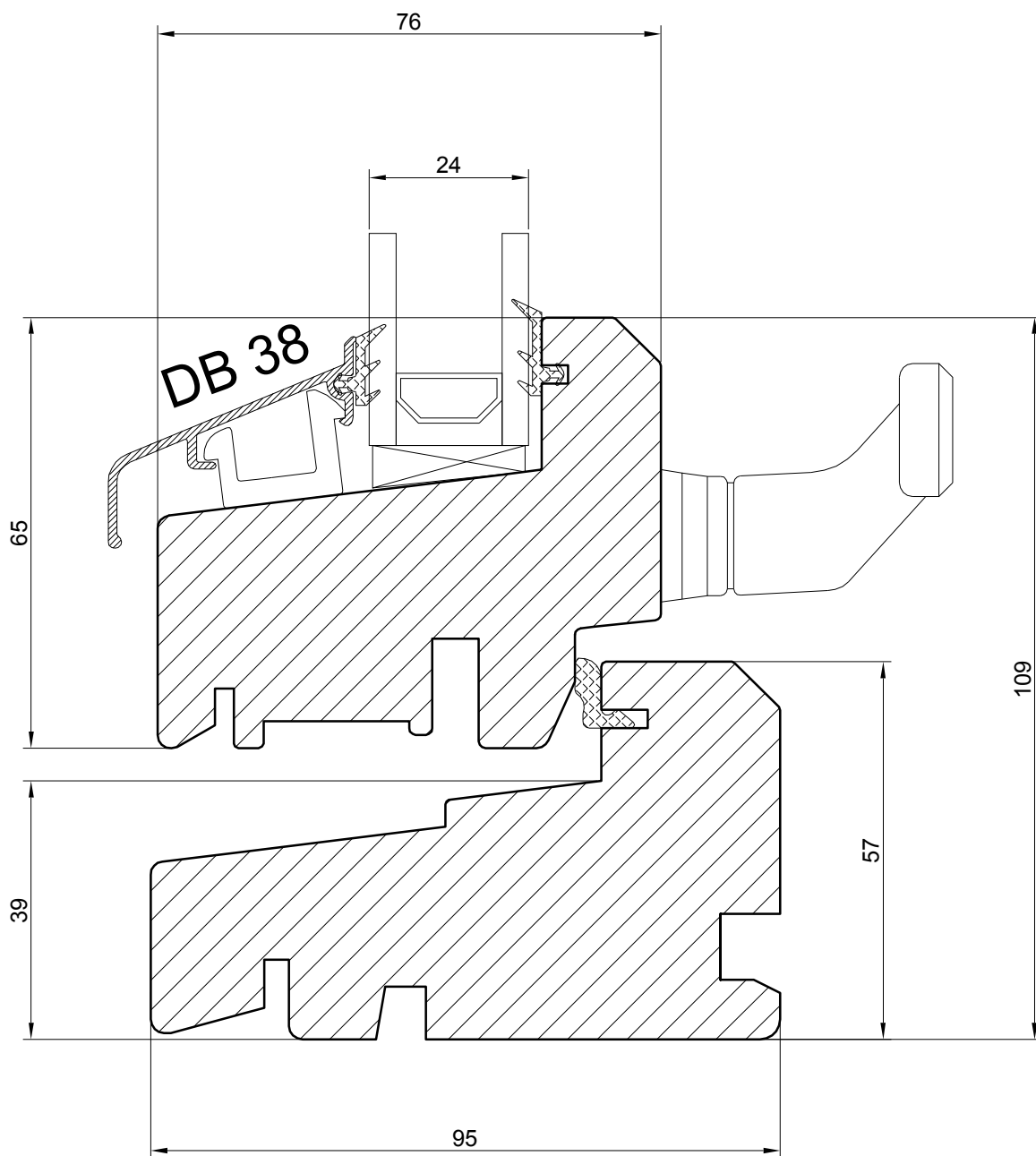
**NORWOOD SP.ZO.O.**

Ul. Rataja 6, Rusocin  
83-031 Łęgowo  
+48 692 22 00  
biuro@norwood.pl

*Opis*

**HTSO N95 FULLY REVERSIBLE WINDOW  
JAMB SECTION (36 mm glass)**

|        |      |             |                     |      |      |            |
|--------|------|-------------|---------------------|------|------|------------|
| Revis. | Date | Size        | 1:1                 | Drw. | Date | 02.01.2018 |
| Verif. | Date | Drawing no. | HTSO - 36 - se - 01 |      |      |            |



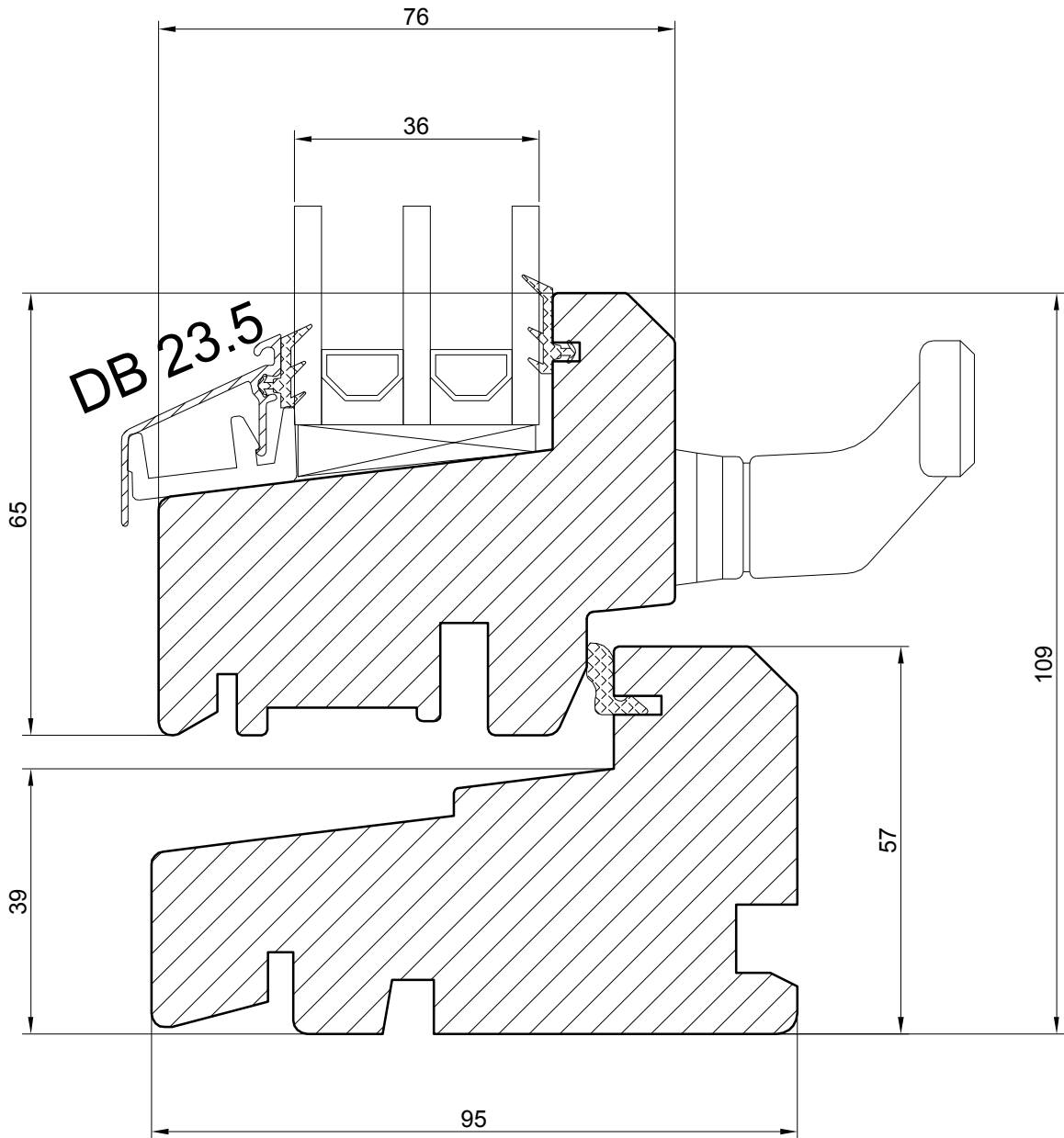
**FULLY REVERSIBLE WINDOW ( OPUS HINGES )**

**NORWOOD SP.ZO.O.**

Ul. Rataja 6, Rusocin  
83-031 Łęgowo  
+48 692 22 00  
biuro@norwood.pl

Description **HTSO N95 FULLY REVERSIBLE WINDOW  
SILL SECTION (24 mm glass)**

|        |      |             |                     |      |      |            |
|--------|------|-------------|---------------------|------|------|------------|
| Revis. | Date | Size        | 1:1                 | Drw. | Date | 02.01.2018 |
| Verif. | Date | Drawing no. | HTSO - 24 - sl - 01 |      |      |            |



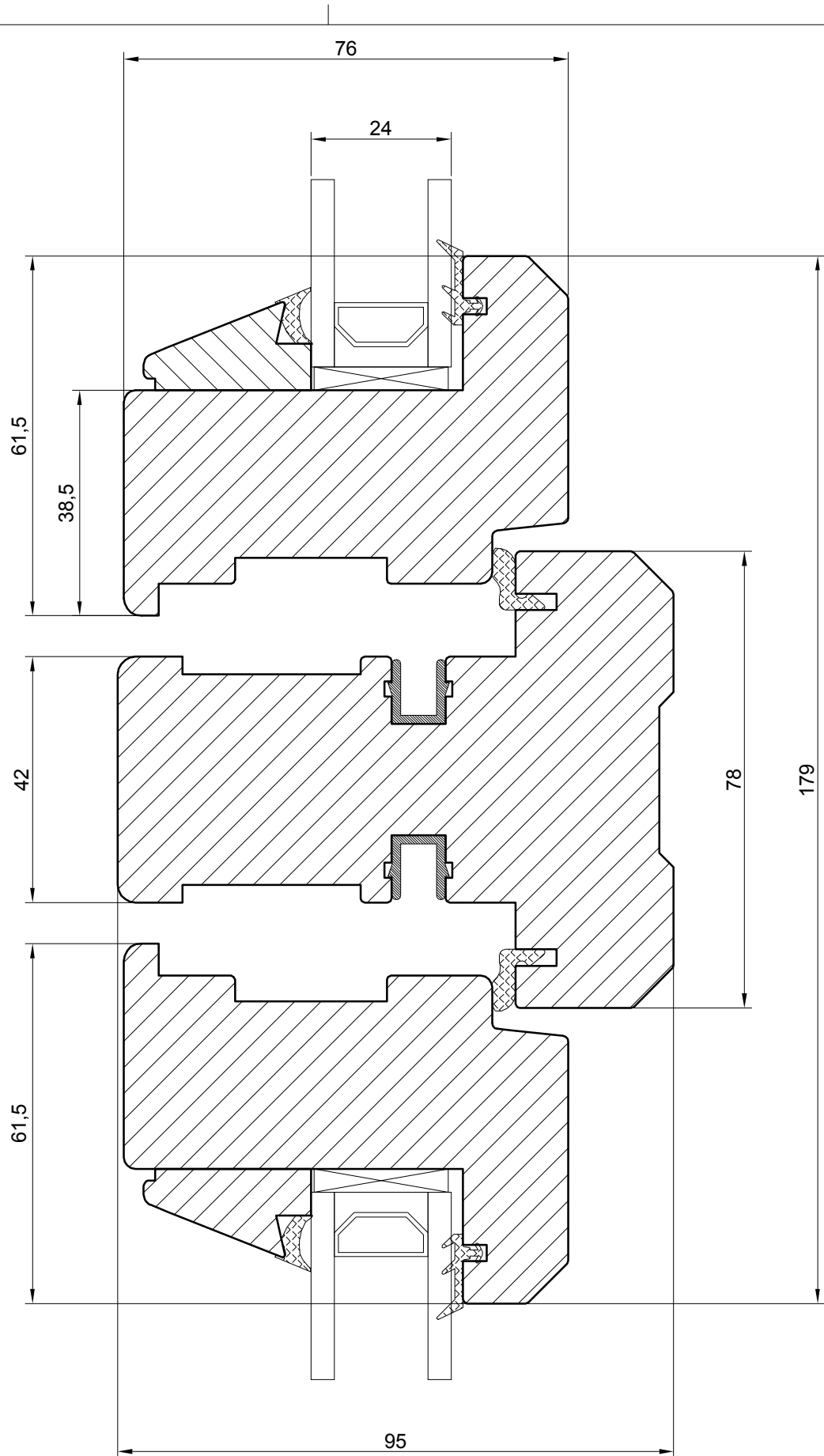
**FULLY REVERSIBLE WINDOW ( OPUS HINGES )**

**NORWOOD SP.ZO.O.**

Ul. Rataja 6, Rusocin  
83-031 Łęgowo  
+48 692 22 00  
biuro@norwood.pl

*Description* **HTSO N95 FULLY REVERSIBLE WINDOW  
SILL SECTION (36 mm glass)**

|               |             |   |             |                               |
|---------------|-------------|---|-------------|-------------------------------|
| <i>Revis.</i> | <i>Date</i> | <i>Size</i> <b>1:1</b>                        | <i>Drw.</i> | <i>Date</i> <b>02.01.2018</b> |
| <i>Verif.</i> | <i>Date</i> | <i>Drawing no.</i> <b>HTSO - 36 - sl - 01</b> |             |                               |



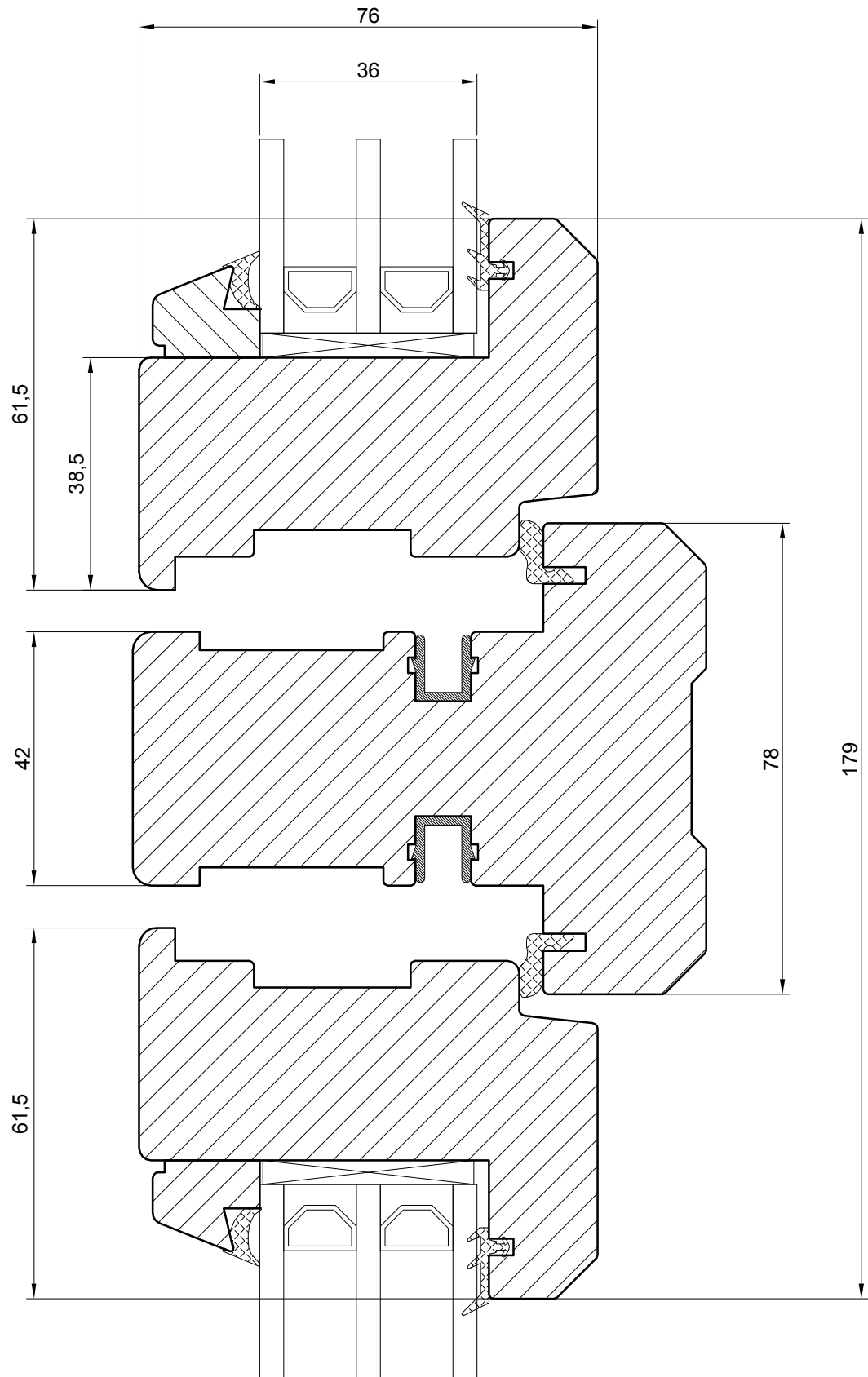
**FULLY REVERSIBLE WINDOW ( OPUS HINGES )**

**NORWOOD SP.ZO.O.**

Ul. Rataja 6, Rusocin  
83-031 Łęgowo  
+48 692 22 00  
biuro@norwood.pl

*Description* **HTSO N95 FULLY REVERSIBLE WINDOW  
MULLION (24 mm glass)**

|               |             |   |             |                               |
|---------------|-------------|---|-------------|-------------------------------|
| <i>Revis.</i> | <i>Date</i> | <i>Size</i> <b>1:1</b>                        | <i>Drw.</i> | <i>Date</i> <b>02.01.2018</b> |
| <i>Verif.</i> | <i>Date</i> | <i>Drawing no.</i> <b>HTSO - 24 - ml - 01</b> |             |                               |



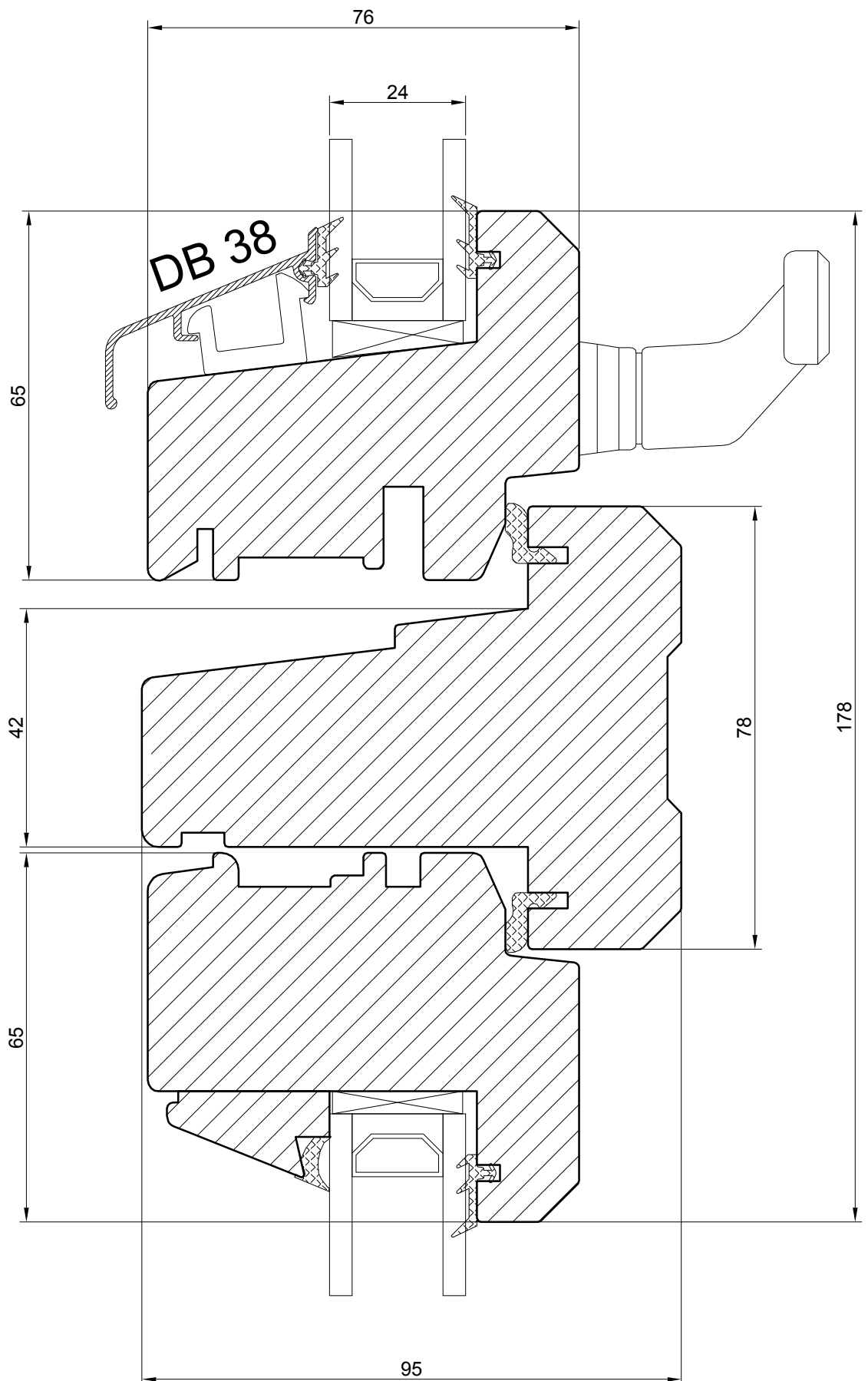
**FULLY REVERSIBLE WINDOW ( OPUS HINGES )**

**NORWOOD SP.ZO.O.**

Ul. Rataja 6, Rusocin  
83-031 Łęgowo  
+48 692 22 00  
biuro@norwood.pl

|                    |             |   |             |                   |  |
|--------------------|-------------|---|-------------|-------------------|--|
| <i>Description</i> |             | <b>HTSO N95 FULLY REVERSIBLE WINDOW<br/>MULLION (36 mm glass)</b> |             |                   |  |
| <i>Revis.</i>      | <i>Date</i> | <i>Size</i>   | <i>Drw.</i> | <i>Date</i>       |  |
|                    |             | <b>1 : 1</b>  |             | <b>02.01.2018</b> |  |
| <i>Verif.</i>      | <i>Date</i> | <i>Drawing no.</i>  |             |                   |  |
|                    |             | <b>HTSO - 36 - ml - 01</b>  |             |                   |  |



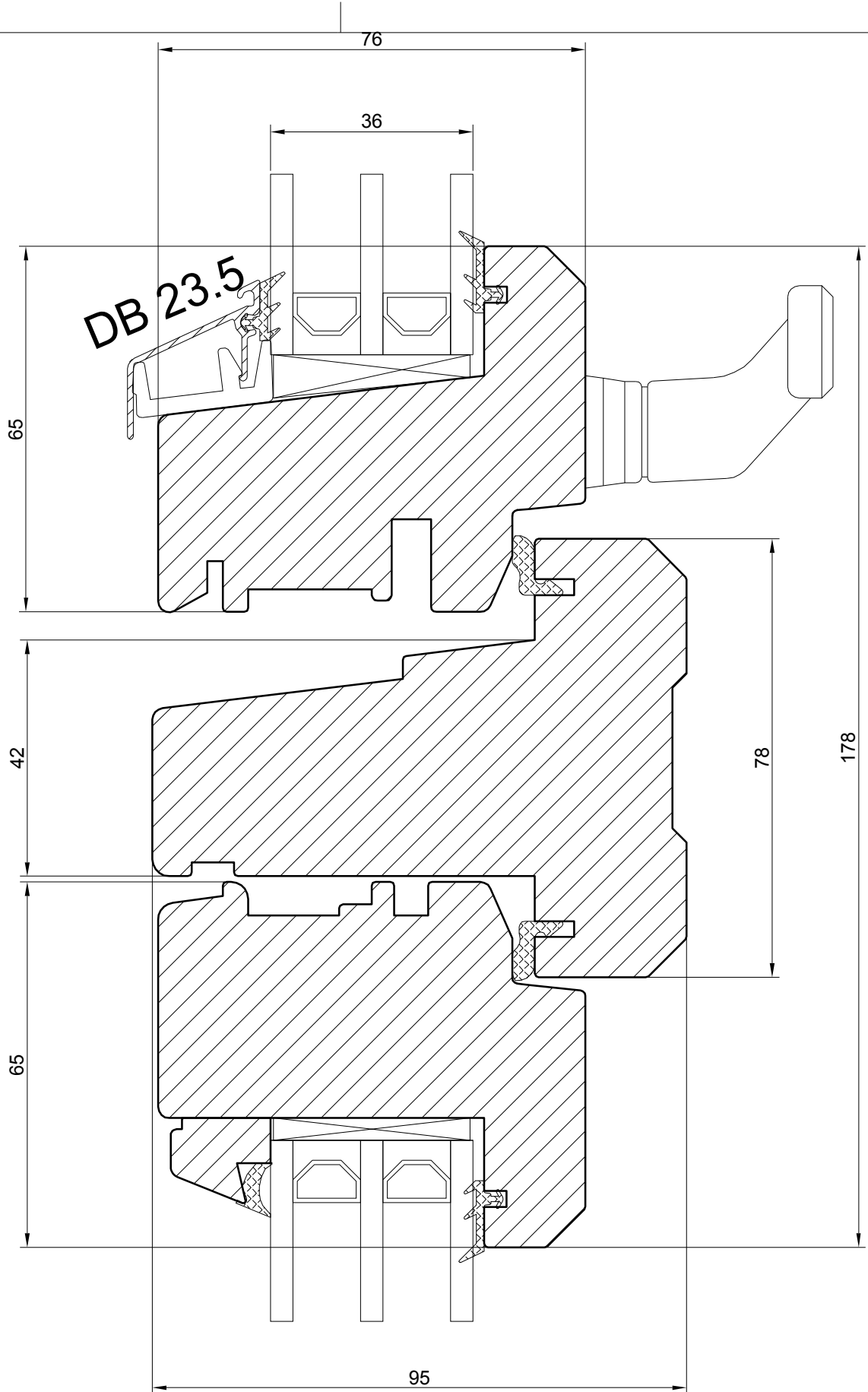


**FULLY REVERSIBLE WINDOW ( OPUS HINGES )**

**NORWOOD SP.ZO.O.**

Ul. Rataja 6, Rusocin  
83-031 Łęgowo  
+48 692 22 00  
biuro@norwood.pl

|                    |             |   |             |                   |  |
|--------------------|-------------|---|-------------|-------------------|--|
| <i>Description</i> |             | <b>HTSO N95 FULLY REVERSIBLE WINDOW<br/>TRANSOM (24 mm glass)</b> |             |                   |  |
| <i>Revis.</i>      | <i>Date</i> | <i>Size</i>   | <i>Drw.</i> | <i>Date</i>       |  |
|                    |             | <b>1:1</b>  |             | <b>02.01.2018</b> |  |
| <i>Verif.</i>      | <i>Date</i> | <i>Drawing no.</i>  |             |                   |  |
|                    |             | <b>HTSO - 24 - ts - 01</b>  |             |                   |  |



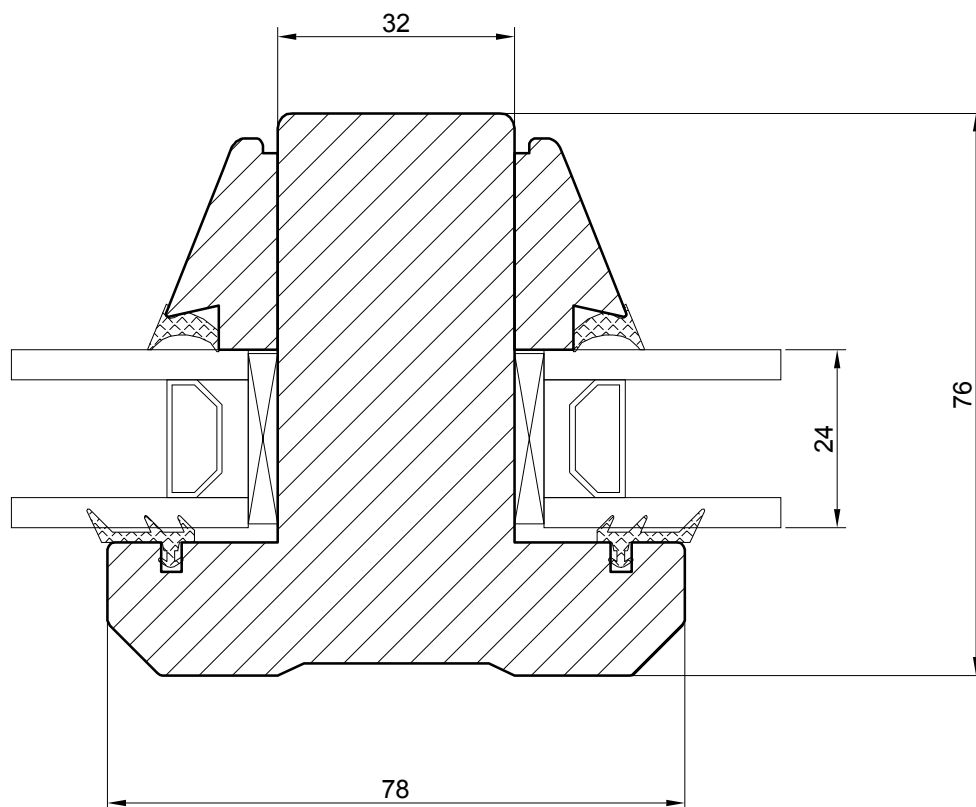
**FULLY REVERSIBLE WINDOW ( OPUS HINGES )**

**NORWOOD SP.ZO.O.**

Ul. Rataja 6, Rusocin  
83-031 Łęgowo  
+48 692 22 00  
biuro@norwood.pl

Description **HTSO N95 FULLY REVERSIBLE WINDOW  
TRANSOM (36 mm glass)**

|        |      |             |                     |      |      |            |
|--------|------|-------------|---------------------|------|------|------------|
| Revis. | Date | Size        | 1:1                 | Drw. | Date | 02.01.2018 |
| Verif. | Date | Drawing no. | HTSO - 36 - ts - 01 |      |      |            |



## FULLY REVERSIBLE WINDOW ( OPUS HINGES )

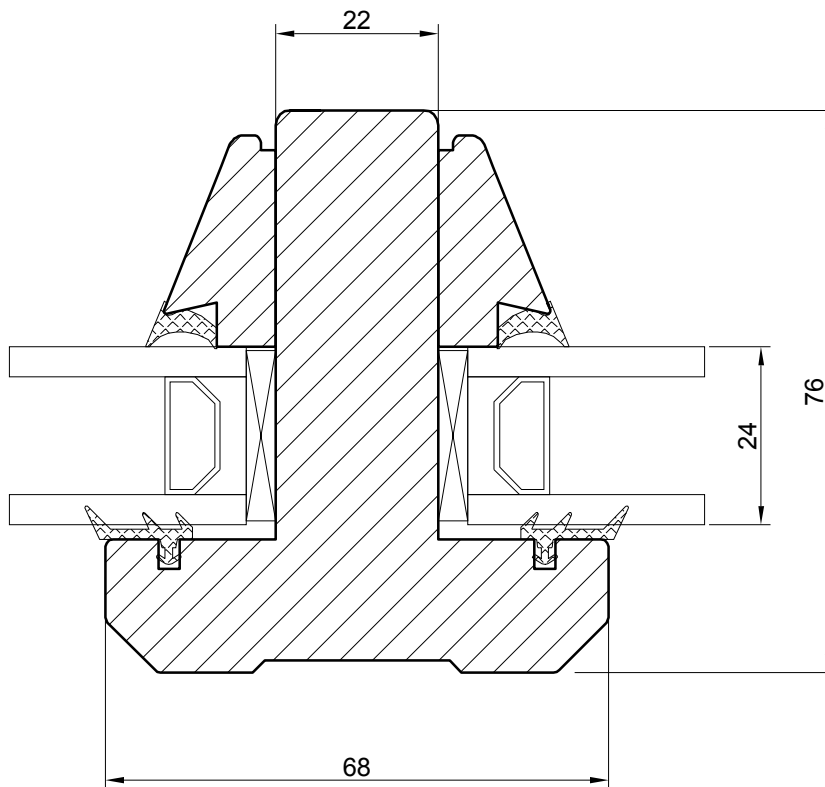
**NORWOOD SP.ZO.O.**

Ul. Rataja 6, Rusocin  
83-031 Łęgowo  
+48 692 22 00  
biuro@norwood.pl

*Description* **HTSO N95 FULLY REVERSIBLE WINDOW**  
**VERTICAL BAR 78 (24 mm glass)**

|               |             |                        |             |                               |
|---------------|-------------|------------------------|-------------|-------------------------------|
| <i>Revis.</i> | <i>Date</i> | <i>Size</i> <b>1:1</b> | <i>Drw.</i> | <i>Date</i> <b>02.01.2018</b> |
|---------------|-------------|------------------------|-------------|-------------------------------|

|               |             |   |
|---------------|-------------|---|
| <i>Verif.</i> | <i>Date</i> | <i>Drawing no.</i> <b>HTSO - 24 - vs78 - 01</b> |
|---------------|-------------|---|



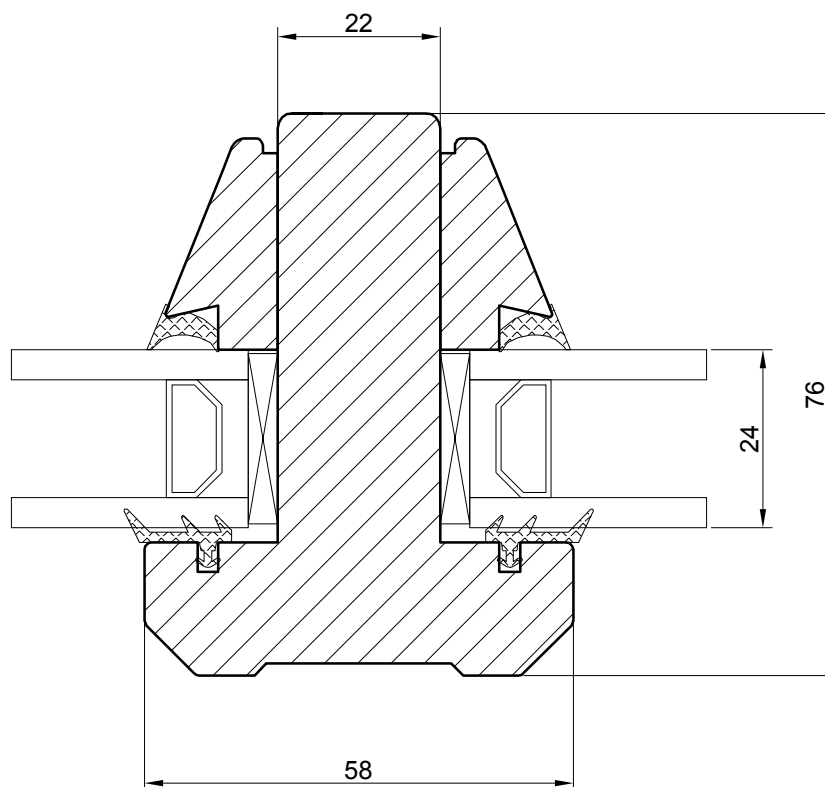
**FULLY REVERSIBLE WINDOW ( OPUS HINGES )**

**NORWOOD SP.ZO.O.**

Ul. Rataja 6, Rusocin  
83-031 Łęgowo  
+48 692 22 00  
biuro@norwood.pl

*Description* **HTSO N95 FULLY REVERSIBLE WINDOW  
VERTICAL BAR 68 (24 mm glass)**

|               |             |   |             |                               |
|---------------|-------------|---|-------------|-------------------------------|
| <i>Revis.</i> | <i>Date</i> | <i>Size</i> <b>1:1</b>                          | <i>Drw.</i> | <i>Date</i> <b>02.01.2018</b> |
| <i>Verif.</i> | <i>Date</i> | <i>Drawing no.</i> <b>HTSO - 24 - vs68 - 01</b> |             |                               |

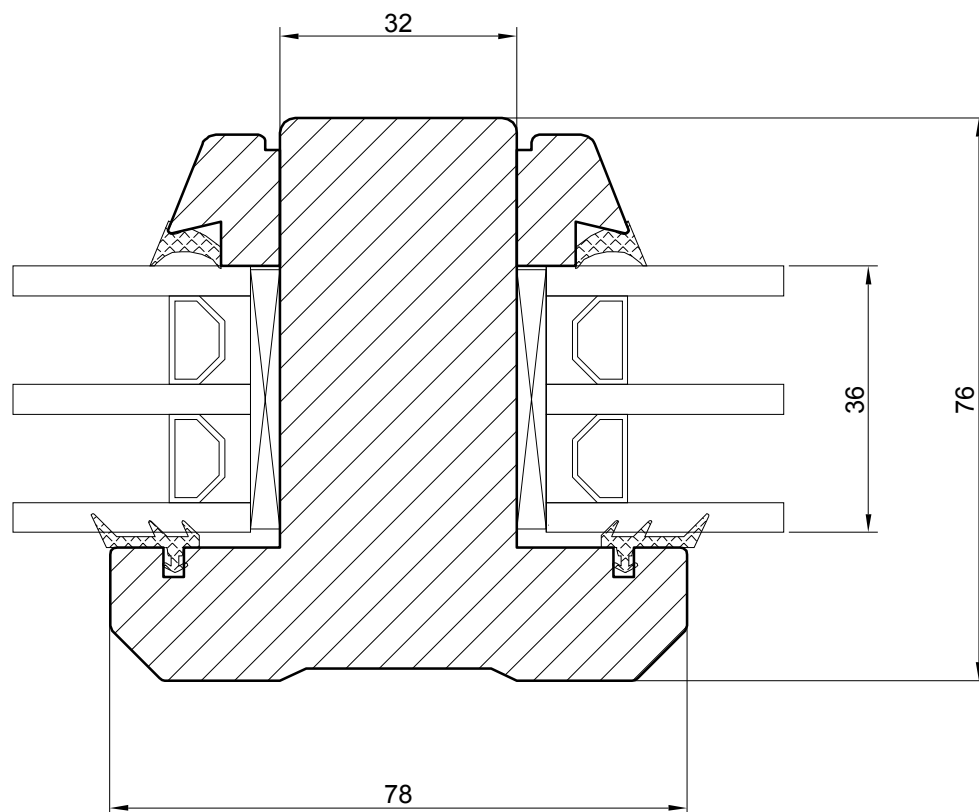


**FULLY REVERSIBLE WINDOW ( OPUS HINGES )**

**NORWOOD SP.ZO.O.**

Ul. Rataja 6, Rusocin  
83-031 Łęgowo  
+48 692 22 00  
biuro@norwood.pl

|                    |             |   |             |             |  |
|--------------------|-------------|---|-------------|-------------|--|
| <i>Description</i> |             | <b>HTSO N95 FULLY REVERSIBLE WINDOW</b> |             |             |  |
|                    |             | <b>VERTICAL BAR 58 (24 mm glass)</b>    |             |             |  |
| <i>Revis.</i>      | <i>Date</i> | <i>Size</i>                             | <i>Drw.</i> | <i>Date</i> |  |
|                    |             | 1 : 1                                   |             | 02.01.2018  |  |
| <i>Verif.</i>      | <i>Date</i> | <i>Drawing no.</i>                      |             |             |  |
|                    |             | HTSO - 24 - vs58 - 01                   |             |             |  |

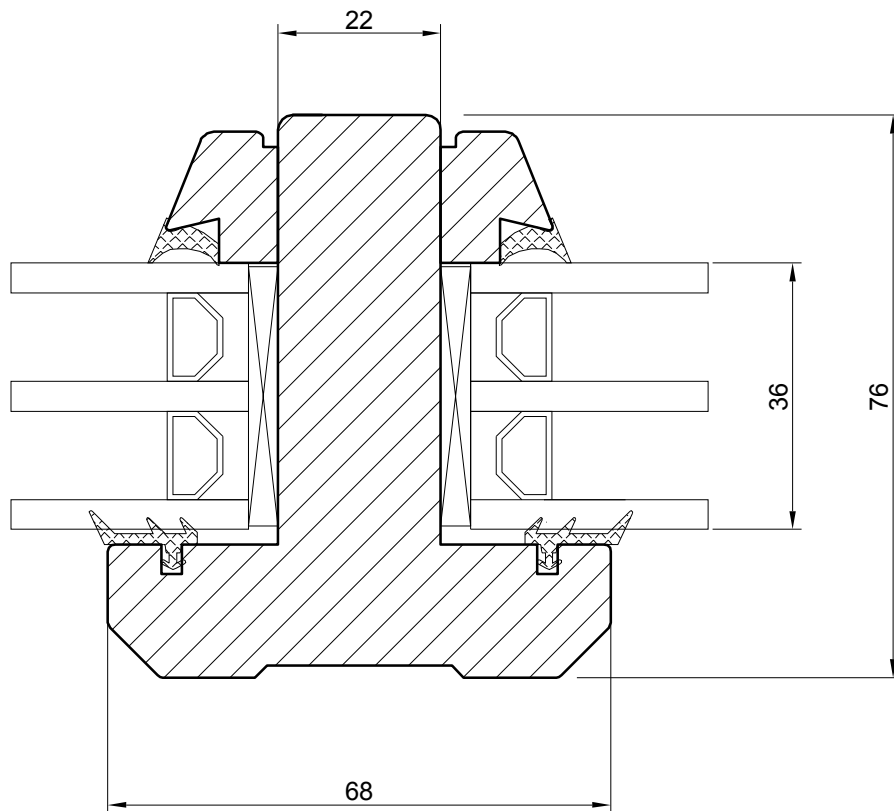


**FULLY REVERSIBLE WINDOW ( OPUS HINGES )**

**NORWOOD SP.ZO.O.**

Ul. Rataja 6, Rusocin  
83-031 Łęgowo  
+48 692 22 00  
biuro@norwood.pl

|                    |             |   |             |                   |  |
|--------------------|-------------|---|-------------|-------------------|--|
| <i>Description</i> |             | <b>HTSO N95 FULLY REVERSIBLE WINDOW</b> |             |                   |  |
|                    |             | <b>VERTICAL BAR 78 (36 mm glass)</b>    |             |                   |  |
| <i>Revis.</i>      | <i>Date</i> | <i>Size</i>                             | <i>Drw.</i> | <i>Date</i>       |  |
|                    |             | <b>1:1</b>                              |             | <b>02.01.2018</b> |  |
| <i>Verif.</i>      | <i>Date</i> | <i>Drawing no.</i>                      |             |                   |  |
|                    |             | <b>HTSO - 36 - vs78 - 01</b>            |             |                   |  |

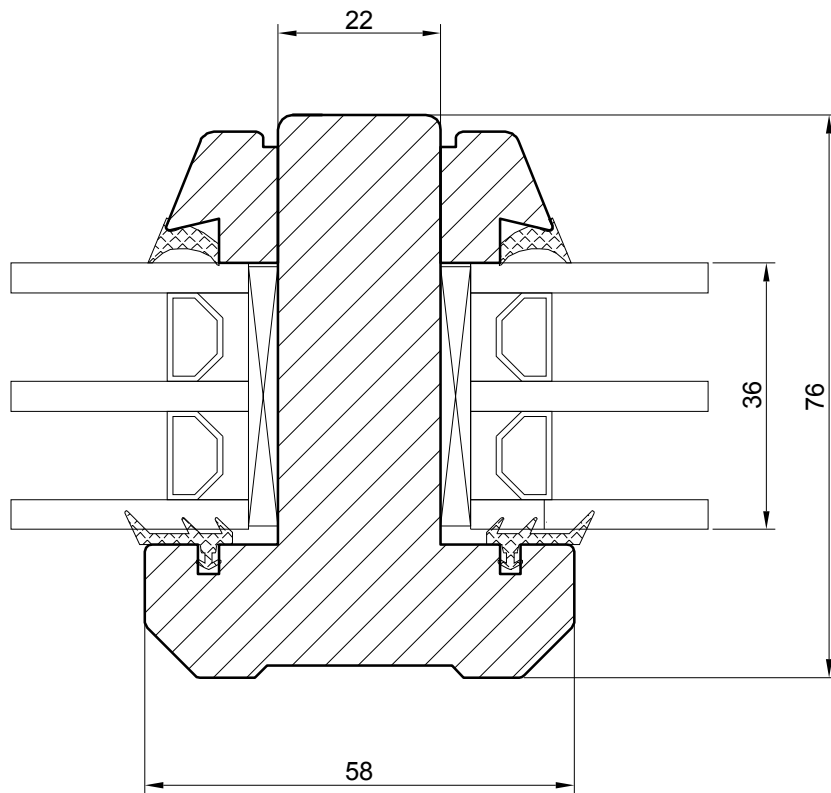


**FULLY REVERSIBLE WINDOW ( OPUS HINGES )**

**NORWOOD SP.ZO.O.**

Ul. Rataja 6, Rusocin  
83-031 Łęgowo  
+48 692 22 00  
biuro@norwood.pl

|                    |             |   |             |                   |  |
|--------------------|-------------|---|-------------|-------------------|--|
| <i>Description</i> |             | <b>HTSO N95 FULLY REVERSIBLE WINDOW</b> |             |                   |  |
|                    |             | <b>VERTICAL BAR 68 (36 mm glass)</b>    |             |                   |  |
| <i>Revis.</i>      | <i>Date</i> | <i>Size</i>                             | <i>Drw.</i> | <i>Date</i>       |  |
|                    |             | <b>1:1</b>                              |             | <b>02.01.2018</b> |  |
| <i>Verif.</i>      | <i>Date</i> | <i>Drawing no.</i>                      |             |                   |  |
|                    |             | <b>HTSO - 36 - vs68 - 01</b>            |             |                   |  |



**FULLY REVERSIBLE WINDOW ( OPUS HINGES )**

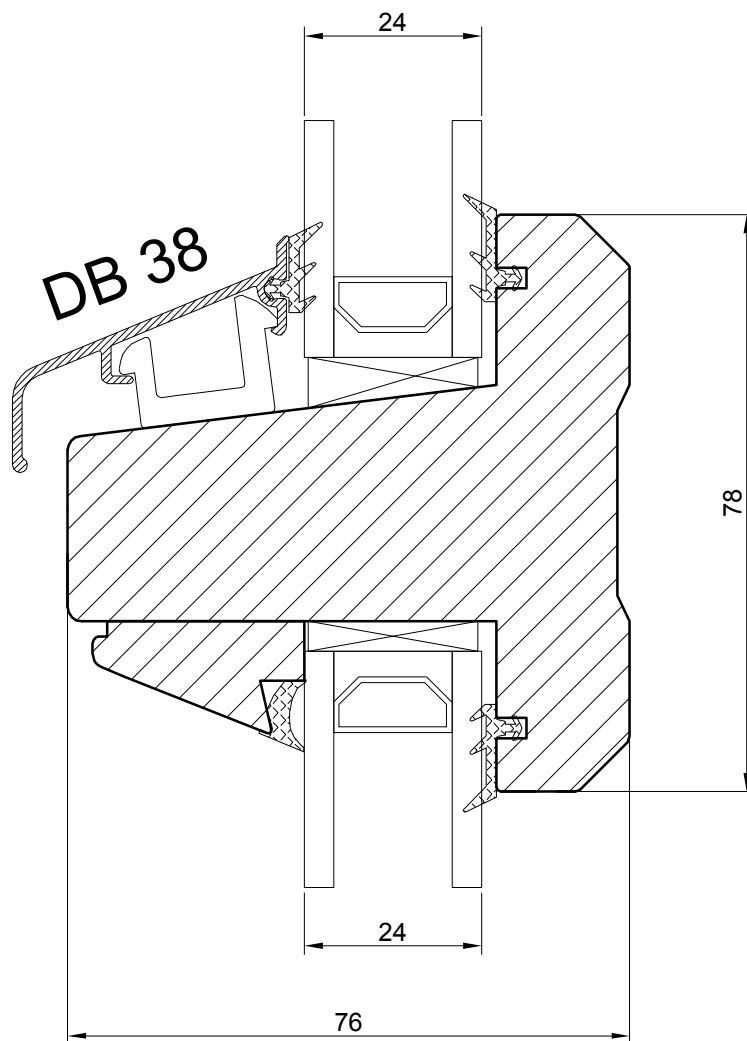
**NORWOOD SP.ZO.O.**

Ul. Rataja 6, Rusocin  
83-031 Łęgowo  
+48 692 22 00  
biuro@norwood.pl

*Description* **HTSO N95 FULLY REVERSIBLE WINDOW**  
**VERTICAL BAR 58 (36 mm glass)**

|               |             |   |             |                               |
|---------------|-------------|---|-------------|-------------------------------|
| <i>Revis.</i> | <i>Date</i> | <i>Size</i> <b>1:1</b>                          | <i>Drw.</i> | <i>Date</i> <b>02.01.2018</b> |
| <i>Verif.</i> | <i>Date</i> | <i>Drawing no.</i> <b>HTSO - 36 - vs58 - 01</b> |             |                               |





**FULLY REVERSIBLE WINDOW ( OPUS HINGES )**

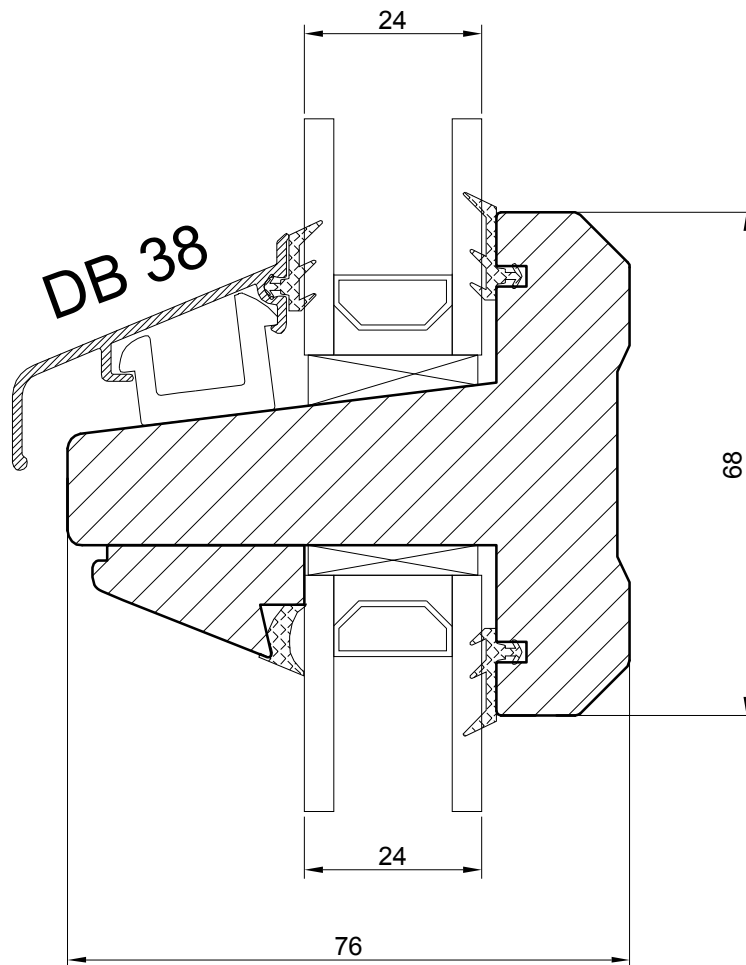
**NORWOOD SP.ZO.O.**

Ul. Rataja 6, Rusocin  
83-031 Łęgowo  
+48 692 22 00  
biuro@norwood.pl

*Description* **HTSO N95 FULLY REVERSIBLE WINDOW  
HORIZONTAL BAR 78 (24 mm glass)**

|               |             |                        |             |                               |
|---------------|-------------|------------------------|-------------|-------------------------------|
| <i>Revis.</i> | <i>Date</i> | <i>Size</i> <b>1:1</b> | <i>Drw.</i> | <i>Date</i> <b>02.01.2018</b> |
|---------------|-------------|------------------------|-------------|-------------------------------|

|               |             |   |
|---------------|-------------|---|
| <i>Verif.</i> | <i>Date</i> | <i>Drawing no.</i> <b>HTSO - 24 - hs78 - 01</b> |
|---------------|-------------|---|

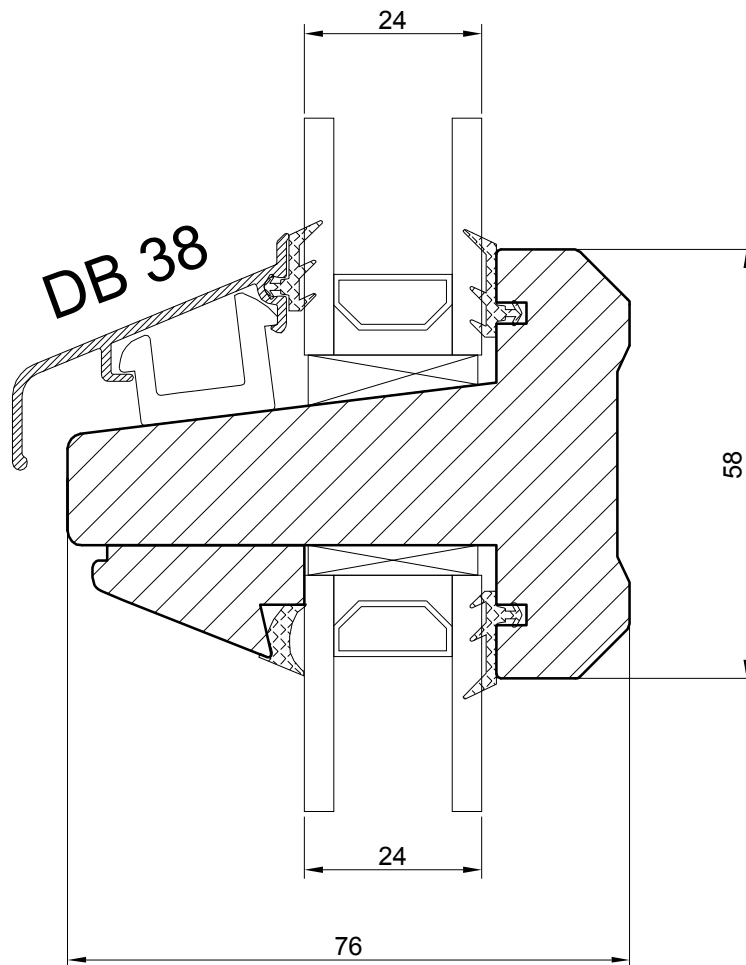


**FULLY REVERSIBLE WINDOW ( OPUS HINGES )**

**NORWOOD SP.ZO.O.**

Ul. Rataja 6, Rusocin  
83-031 Łęgowo  
+48 692 22 00  
biuro@norwood.pl

|                    |             |   |   |
|--------------------|-------------|---|---|
| <i>Description</i> |             | <b>HTSO N95 FULLY REVERSIBLE WINDOW</b>         |   |
|                    |             | <b>HORIZONTAL BAR 68 (24 mm glass)</b>          |   |
| <i>Revis.</i>      | <i>Date</i> | <i>Size</i> <b>1:1</b>                          | <i>Drw.</i> <i>Date</i> <b>02.01.2018</b> |
| <i>Verif.</i>      | <i>Date</i> | <i>Drawing no.</i> <b>HTSO - 24 - hs68 - 01</b> |   |

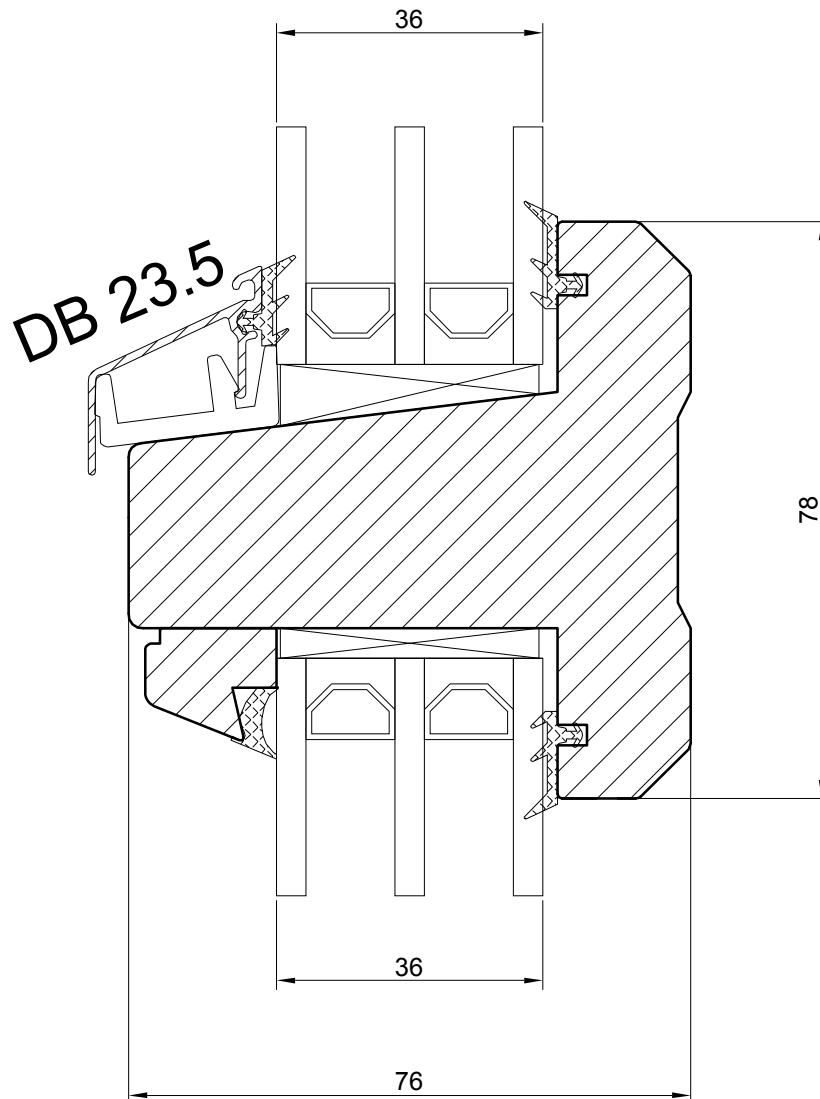


**FULLY REVERSIBLE WINDOW ( OPUS HINGES )**

**NORWOOD SP.ZO.O.**

Ul. Rataja 6, Rusocin  
83-031 Łęgowo  
+48 692 22 00  
biuro@norwood.pl

|                    |             |   |             |                   |  |
|--------------------|-------------|---|-------------|-------------------|--|
| <i>Description</i> |             | <b>HTSO N95 FULLY REVERSIBLE WINDOW<br/>HORIZONTAL BAR 58 (24 mm glass)</b> |             |                   |  |
| <i>Revis.</i>      | <i>Date</i> | <i>Size</i>   | <i>Drw.</i> | <i>Date</i>       |  |
|                    |             | <b>1:1</b>  |             | <b>02.01.2018</b> |  |
| <i>Verif.</i>      | <i>Date</i> | <i>Drawing no.</i>  |             |                   |  |
|                    |             | <b>HTSO - 24 - hs58 - 01</b>  |             |                   |  |

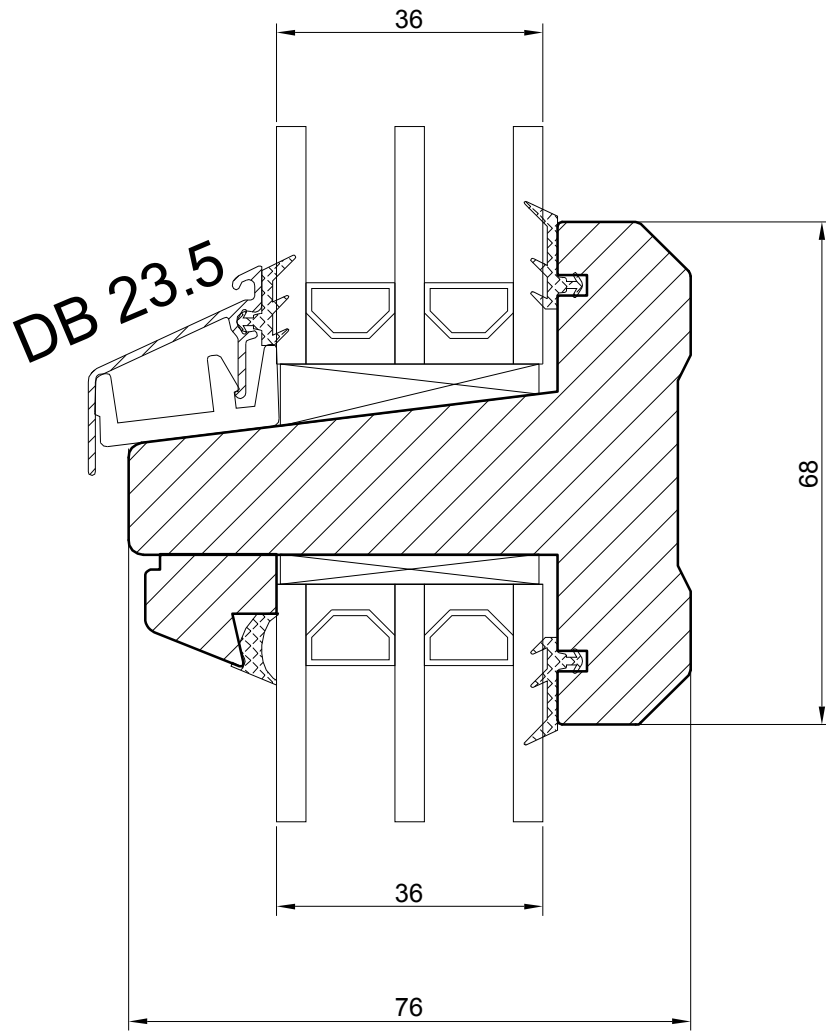


**FULLY REVERSIBLE WINDOW ( OPUS HINGES )**

**NORWOOD SP.ZO.O.**

Ul. Rataja 6, Rusocin  
83-031 Łęgowo  
+48 692 22 00  
biuro@norwood.pl

|                    |             |   |             |                   |  |
|--------------------|-------------|---|-------------|-------------------|--|
| <i>Description</i> |             | <b>HTSO N95 FULLY REVERSIBLE WINDOW</b> |             |                   |  |
|                    |             | <b>HORIZONTAL BAR 78 (36 mm glass)</b>  |             |                   |  |
| <i>Revis.</i>      | <i>Date</i> | <i>Size</i>                             | <i>Drw.</i> | <i>Date</i>       |  |
|                    |             | <b>1:1</b>                              |             | <b>02.01.2018</b> |  |
| <i>Verif.</i>      | <i>Date</i> | <i>Drawing no.</i>                      |             |                   |  |
|                    |             | <b>HTSO - 36 - hs78 - 01</b>            |             |                   |  |

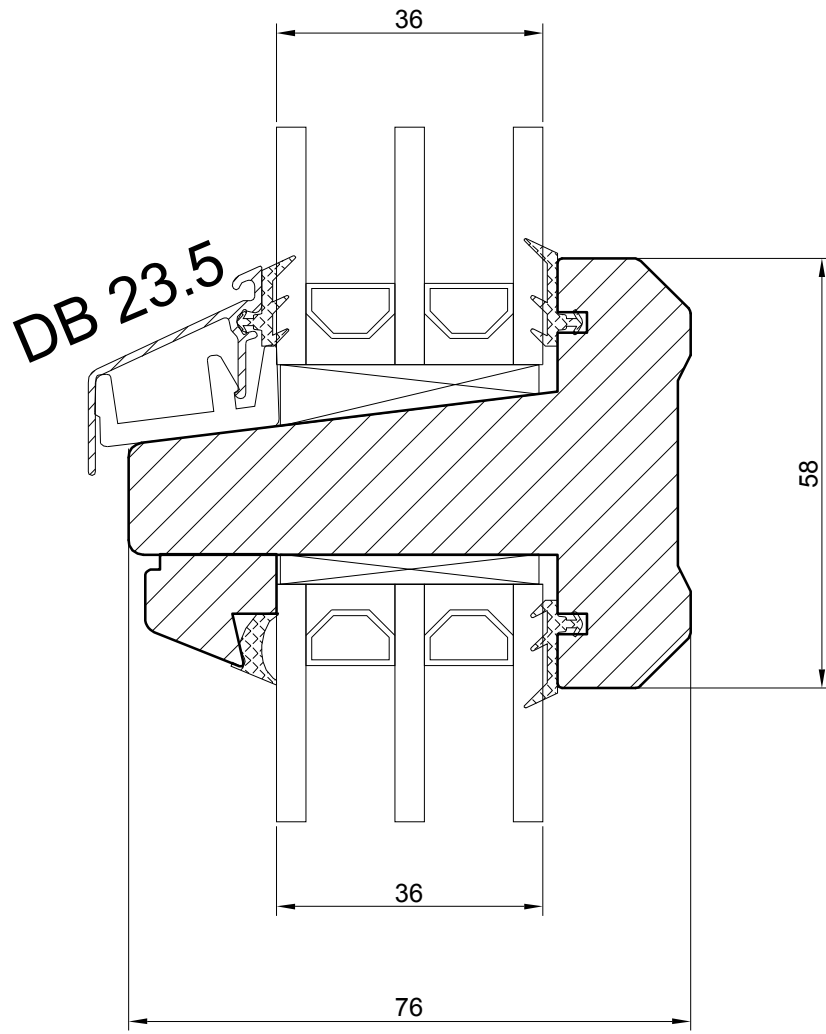


**FULLY REVERSIBLE WINDOW ( OPUS HINGES )**

**NORWOOD SP.ZO.O.**

Ul. Rataja 6, Rusocin  
 83-031 Łęgowo  
 +48 692 22 00  
 biuro@norwood.pl

|                    |             |   |             |                   |  |
|--------------------|-------------|---|-------------|-------------------|--|
| <i>Description</i> |             | <b>HTSO N95 FULLY REVERSIBLE WINDOW</b> |             |                   |  |
|                    |             | <b>HORIZONTAL BAR 68 (36 mm glass)</b>  |             |                   |  |
| <i>Revis.</i>      | <i>Date</i> | <i>Size</i>                             | <i>Drw.</i> | <i>Date</i>       |  |
|                    |             | <b>1:1</b>                              |             | <b>02.01.2018</b> |  |
| <i>Verif.</i>      | <i>Date</i> | <i>Drawing no.</i>                      |             |                   |  |
|                    |             | <b>HTSO - 36 - hs68 - 01</b>            |             |                   |  |



**FULLY REVERSIBLE WINDOW ( OPUS HINGES )**

**NORWOOD SP.ZO.O.**

Ul. Rataja 6, Rusocin  
83-031 Łęgowo  
+48 692 22 00  
biuro@norwood.pl

|                    |             |   |             |                   |  |
|--------------------|-------------|---|-------------|-------------------|--|
| <i>Description</i> |             | <b>HTSO N95 FULLY REVERSIBLE WINDOW</b> |             |                   |  |
|                    |             | <b>HORIZONTAL BAR 58 (36 mm glass)</b>  |             |                   |  |
| <i>Revis.</i>      | <i>Date</i> | <i>Size</i>                             | <i>Drw.</i> | <i>Date</i>       |  |
|                    |             | <b>1:1</b>                              |             | <b>02.01.2018</b> |  |
| <i>Verif.</i>      | <i>Date</i> | <i>Drawing no.</i>                      |             |                   |  |
|                    |             | <b>HTSO - 36 - hs58 - 01</b>            |             |                   |  |