

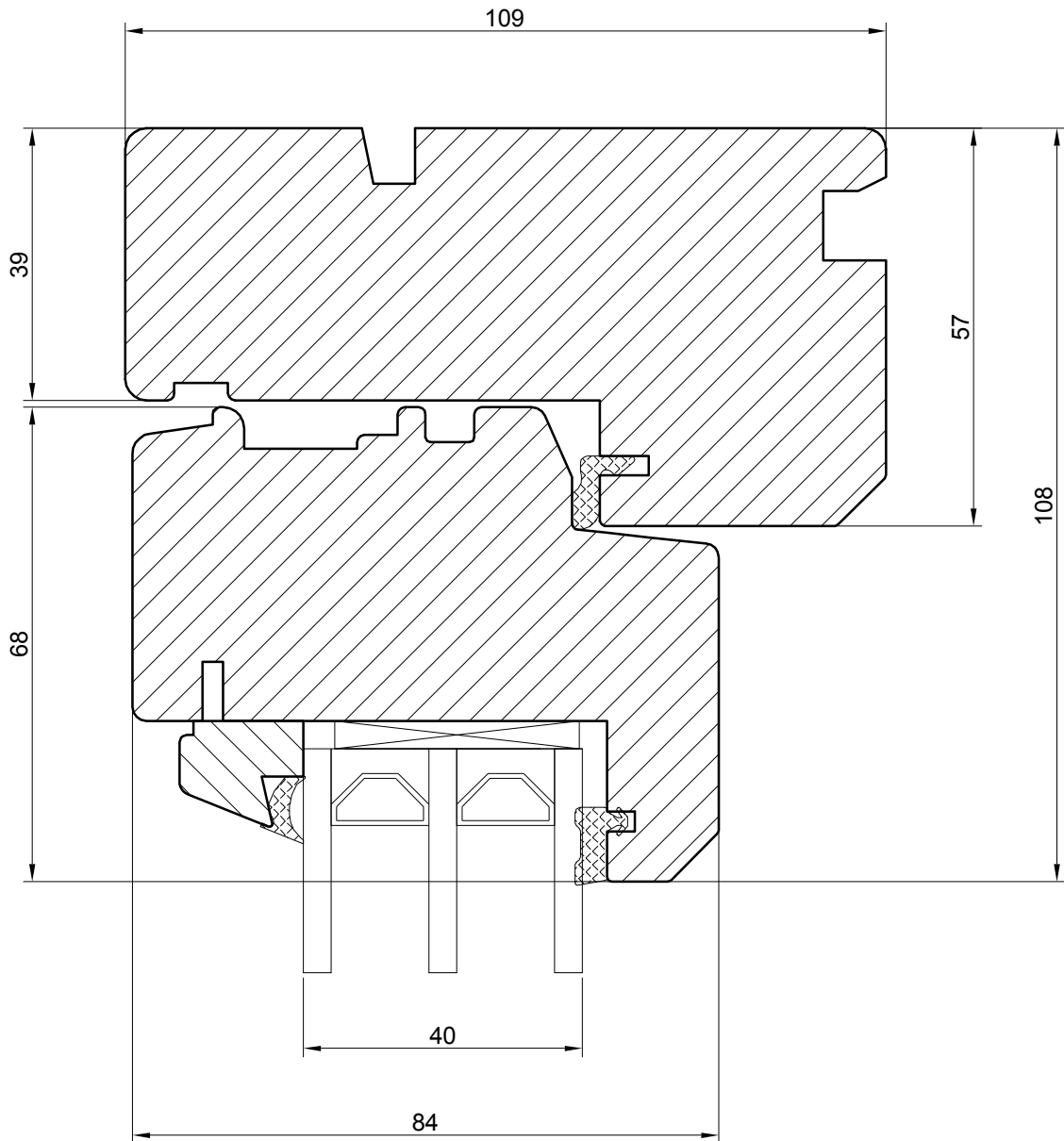
## FULLY REVERSIBLE PASSIVE WINDOW

**NORWOOD SP.ZO.O.**

Ul. Rataja 6, Rusocin  
83-031 Łęgowo  
+48 692 22 00  
biuro@norwood.pl

Description **HTSP N109 FULLY REVERSIBLE WINDOW  
HEAD SECTION (30 mm glass)**

Revis.	Date	Size	1:1	Drw.	Date	02.01.2018
Verif.	Date	Drawing no.	HTSP - 30 - he - 01			



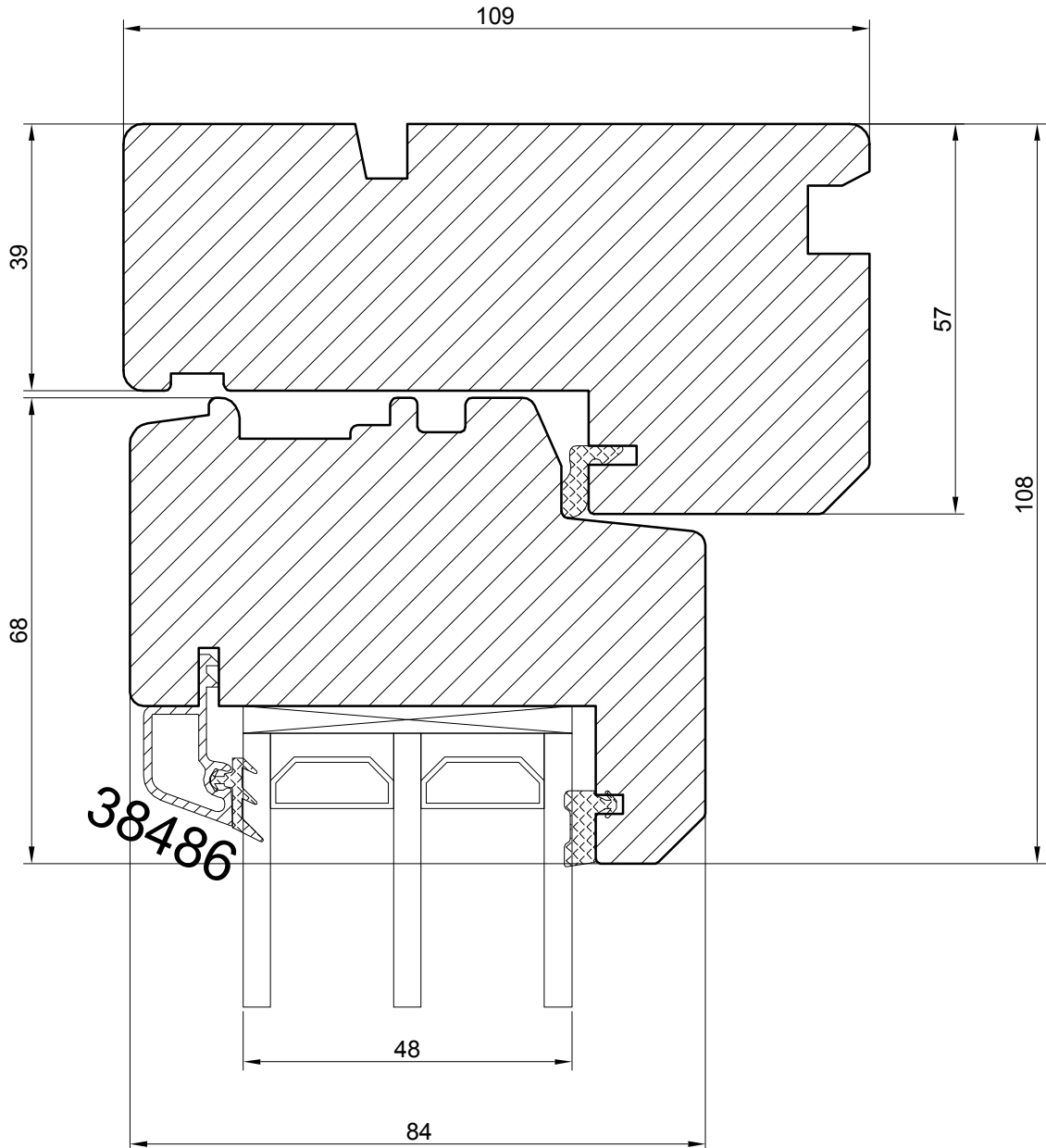
**FULLY REVERSIBLE PASSIVE WINDOW**

**NORWOOD SP.ZO.O.**

Ul. Rataja 6, Rusocin  
83-031 Łęgowo  
+48 692 22 00  
biuro@norwood.pl

Description **HTSP N109 FULLY REVERSIBLE WINDOW**  
**HEAD SECTION (40 mm glass)**

Revis.	Date	Size	1:1	Drw.	Date	02.01.2018
Verif.	Date	Drawing no.	HTS - 40 - he - 01			



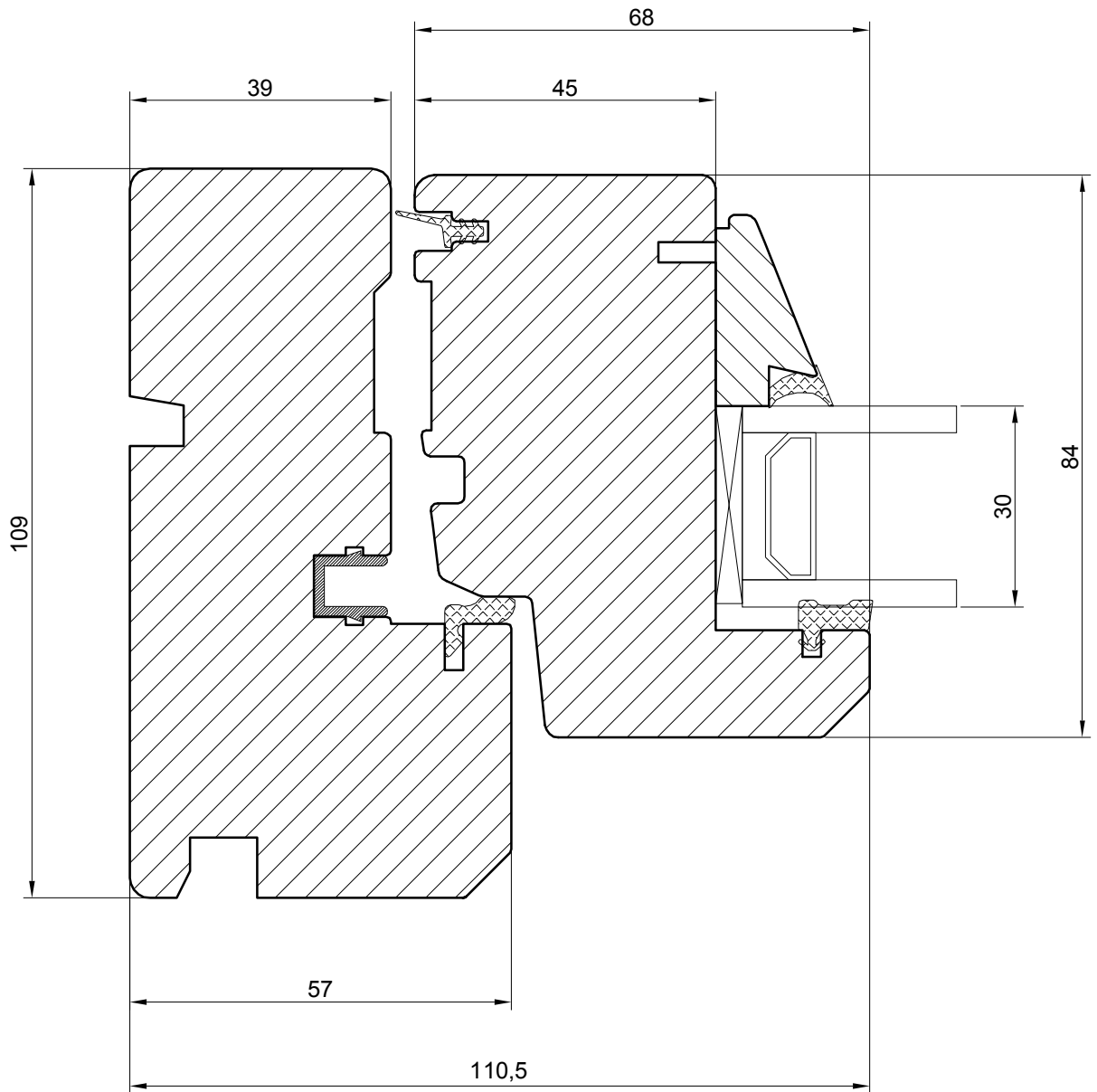
## FULLY REVERSIBLE PASSIVE WINDOW

**NORWOOD SP.ZO.O.**

Ul. Rataja 6, Rusocin  
83-031 Łęgowo  
+48 692 22 00  
biuro@norwood.pl

Description **HTSP N109 FULLY REVERSIBLE WINDOW  
HEAD SECTION (48 mm glass)**

Revis.	Date	Size	1:1	Draw.	Date	02.01.2018
Verif.	Date	Drawing no.	HTSP - 48 - he - 01			



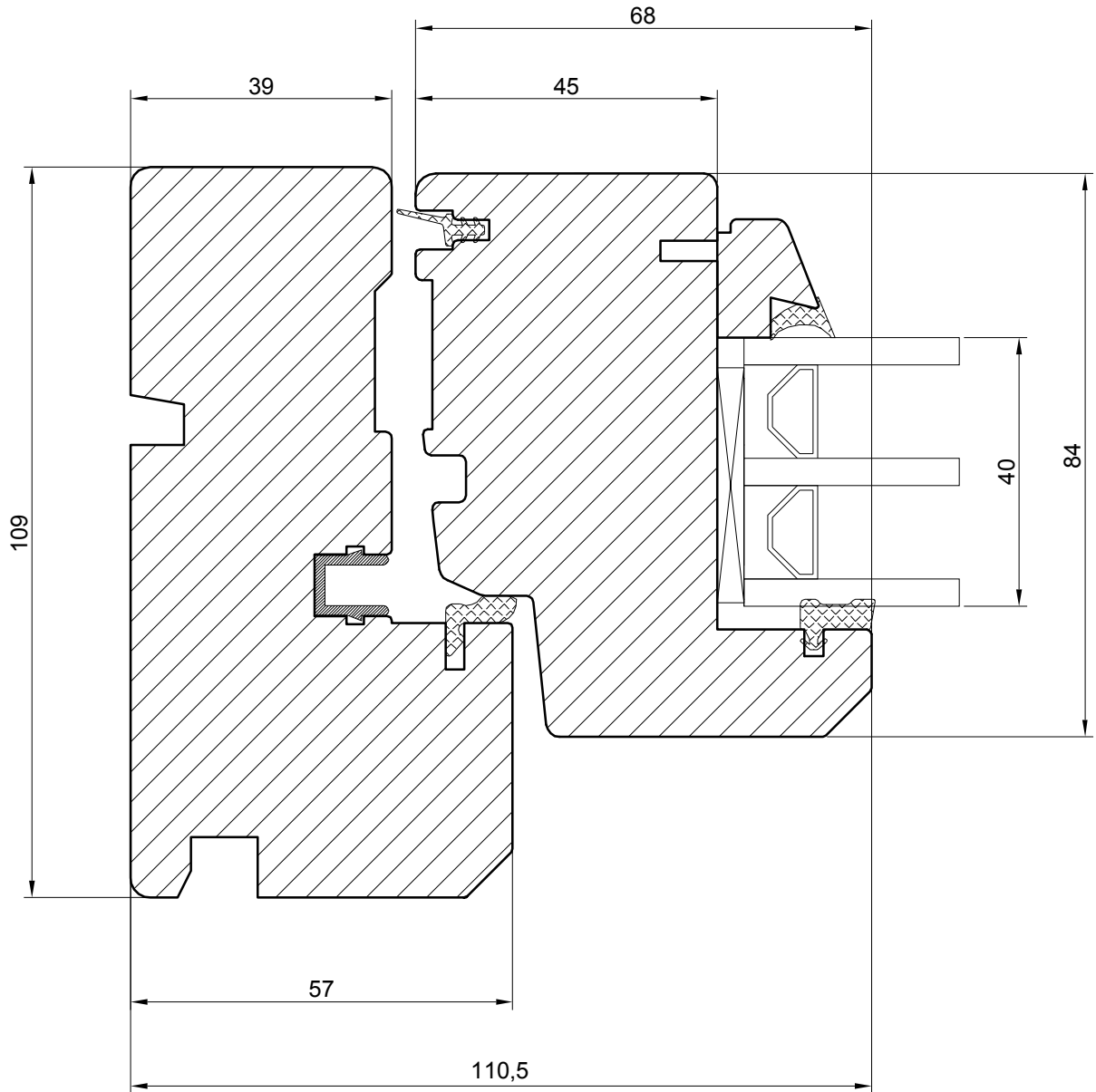
## FULLY REVERSIBLE PASSIVE WINDOW

**NORWOOD SP.ZO.O.**

Ul. Rataja 6, Rusocin  
83-031 Łęgowo  
+48 692 22 00  
biuro@norwood.pl

Description **HTSP N109 FULLY REVERSIBLE WINDOW**  
**JAMB SECTION (30 mm glass)**

Revis.	Date	Size	1:1	Drw.	Date	02.01.2018
Verif.	Date	Drawing no.	HTSP - 30 - se - 01			



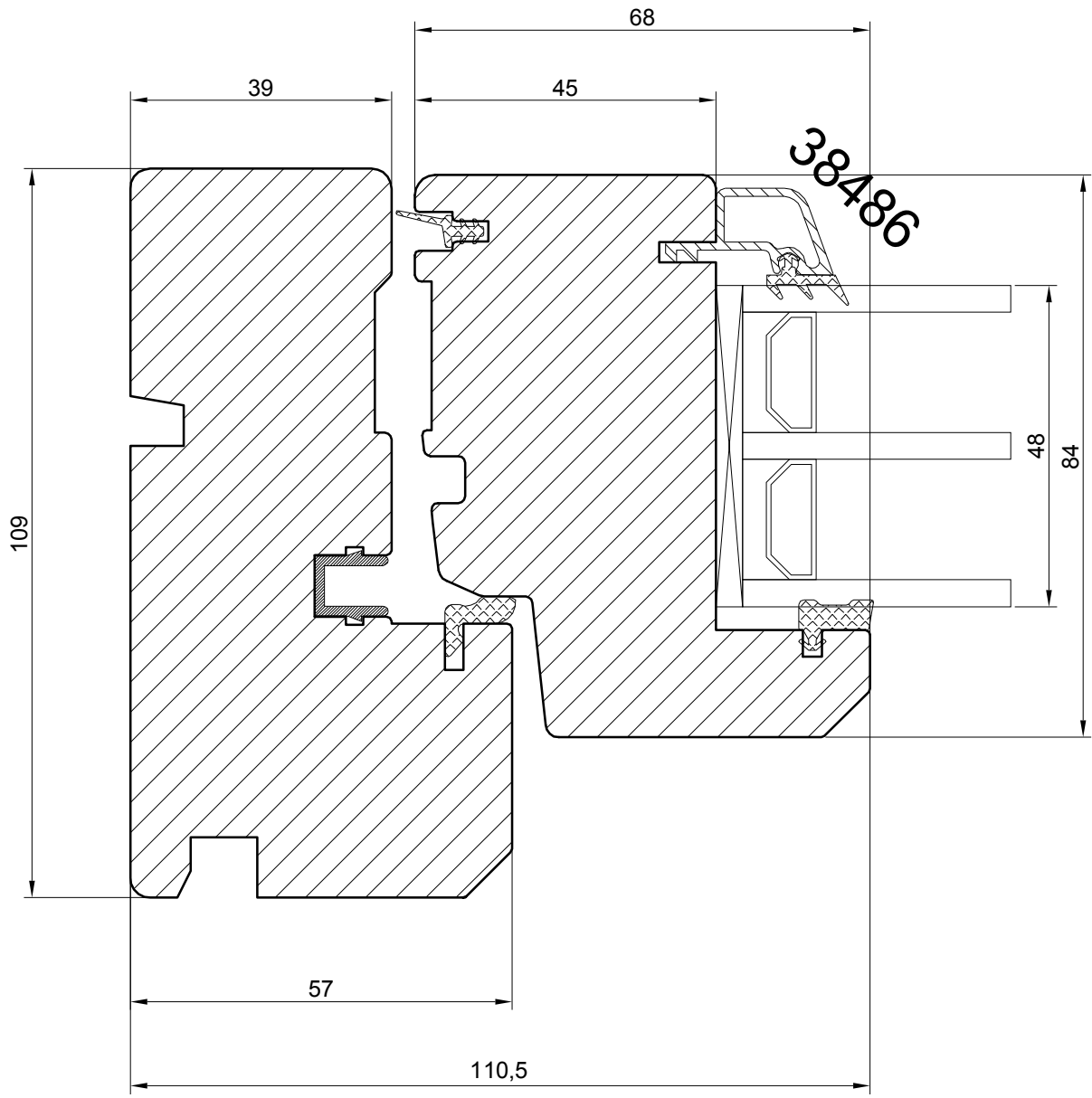
**FULLY REVERSIBLE PASSIVE WINDOW**

**NORWOOD SP.ZO.O.**

Ul. Rataja 6, Rusocin  
 83-031 Łęgowo  
 +48 692 22 00  
 biuro@norwood.pl

*Description* **HTSP N109 FULLY REVERSIBLE WINDOW  
 JAMB SECTION (40 mm glass)**

<i>Revis.</i>	<i>Date</i>	<i>Size</i> <b>1:1</b>	<i>Drw.</i>	<i>Date</i> <b>02.01.2018</b>
<i>Verif.</i>	<i>Date</i>	<i>Drawing no.</i> <b>HTSP - 40 - se - 01</b>		



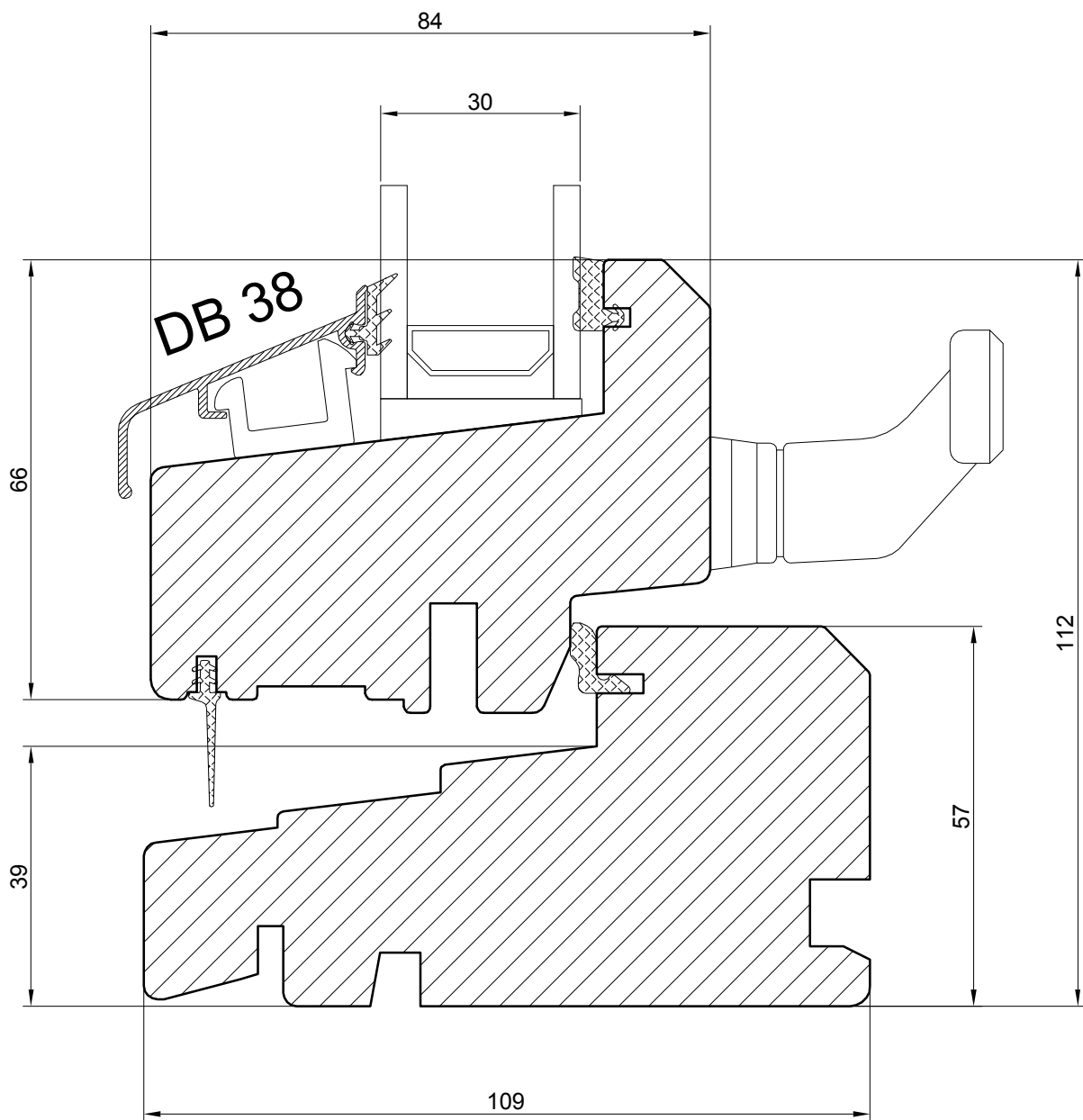
**FULLY REVERSIBLE PASSIVE WINDOW**

**NORWOOD SP.ZO.O.**

Ul. Rataja 6, Rusocin  
 83-031 Łęgowo  
 +48 692 22 00  
 biuro@norwood.pl

*Description* **HTSP N109 FULLY REVERSIBLE WINDOW  
 JAMB SECTION (48 mm glass)**

<i>Revis.</i>	<i>Date</i>	<i>Size</i> <b>1:1</b>	<i>Drw.</i>	<i>Date</i> <b>02.01.2018</b>
<i>Verif.</i>	<i>Date</i>	<i>Drawing no.</i> <b>HTSP - 48 - se - 01</b>		



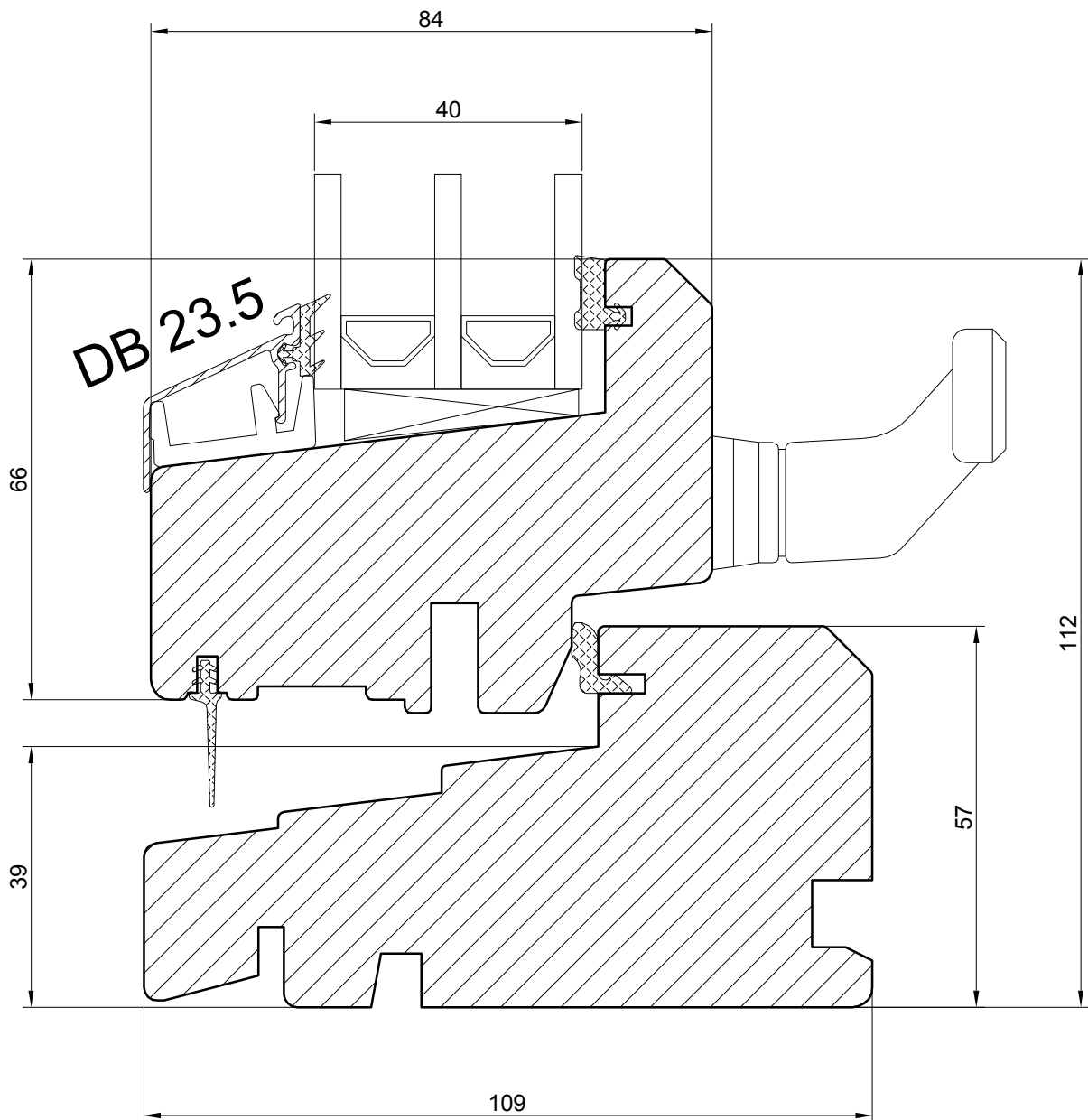
## FULLY REVERSIBLE PASSIVE WINDOW

**NORWOOD SP.ZO.O.**

Ul. Rataja 6, Rusocin  
83-031 Łęgowo  
+48 692 22 00  
biuro@norwood.pl

Description **HTSP N109 FULLY REVERSIBLE WINDOW**  
**SILL SECTION (30 mm glass)**

Revis.	Date	Size	1:1	Drw.	Date	02.01.2018
Verif.	Date	Drawing no.	HTSP - 30 - sl - 01			



## FULLY REVERSIBLE PASSIVE WINDOW

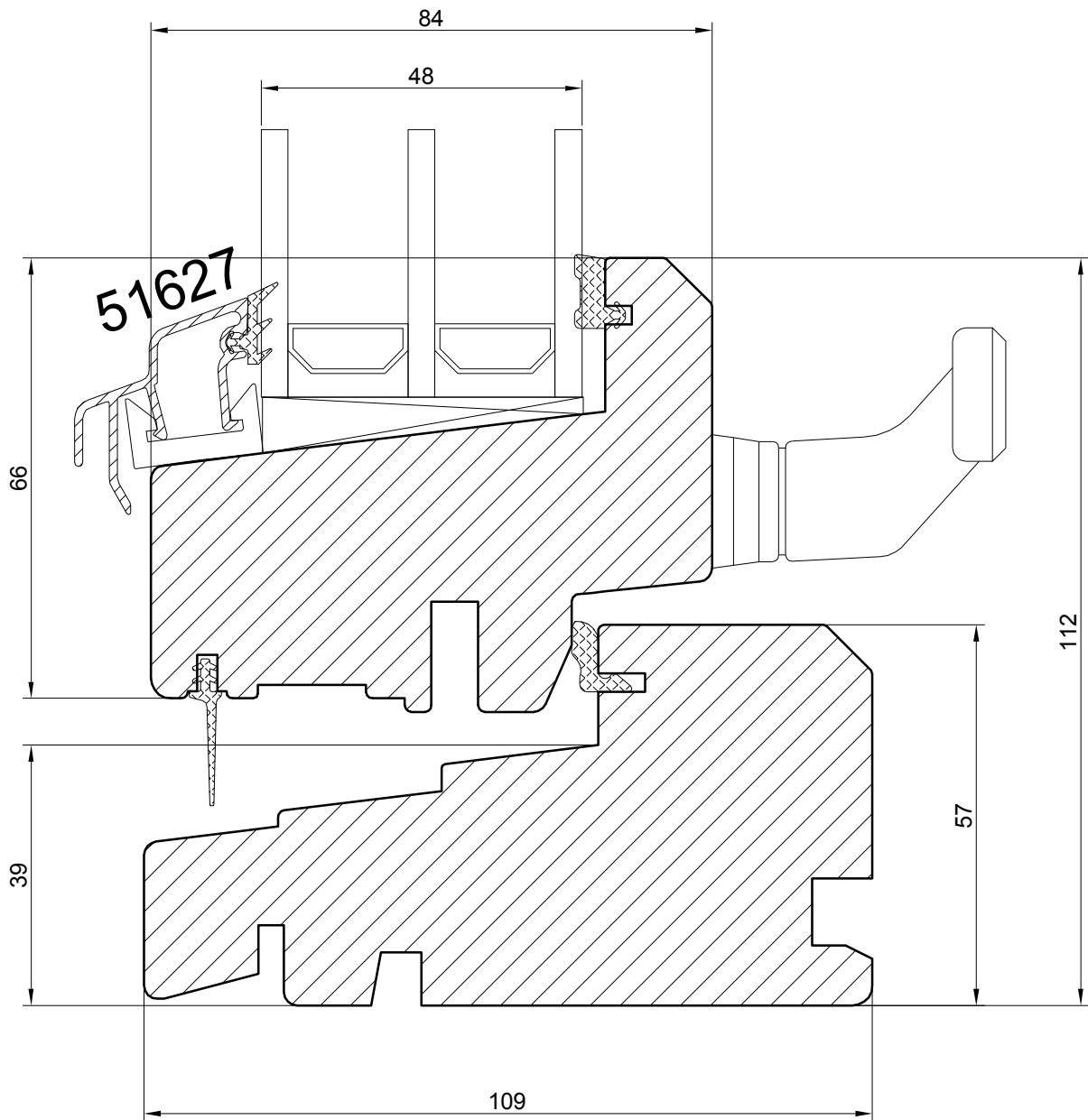
**NORWOOD SP.ZO.O.**

Ul. Rataja 6, Rusocin  
83-031 Łęgowo  
+48 692 22 00  
biuro@norwood.pl

Description **HTSP N109 FULLY REVERSIBLE WINDOW**  
**SILL SECTION (40 mm glass)**

Revis.	Date	Size	1:1	Drw.	Date	02.01.2018
Verif.	Date	Drawing no.	HTSP - 40 - sl - 01			





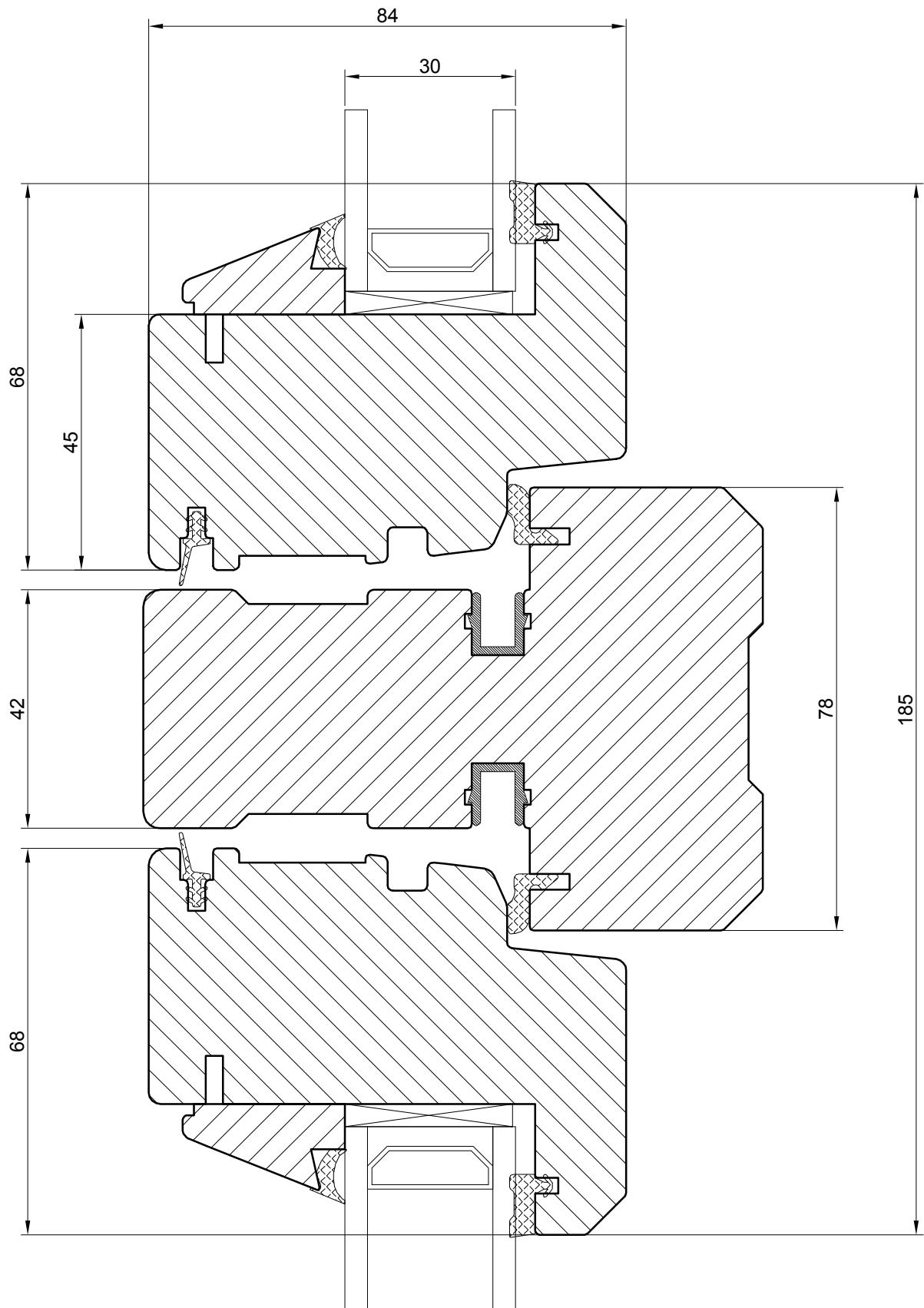
## FULLY REVERSIBLE PASSIVE WINDOW

**NORWOOD SP.ZO.O.**

Ul. Rataja 6, Rusocin  
83-031 Łęgowo  
+48 692 22 00  
biuro@norwood.pl

Description **HTSP N109 FULLY REVERSIBLE WINDOW**  
**SILL SECTION (48 mm glass)**

Revis.	Date	Size	1:1	Drw.	Date	02.01.2018
Verif.	Date	Drawing no.	HTSP - 48 - sl - 01			



**FULLY REVERSIBLE PASSIVE WINDOW**

**NORWOOD SP.ZO.O.**

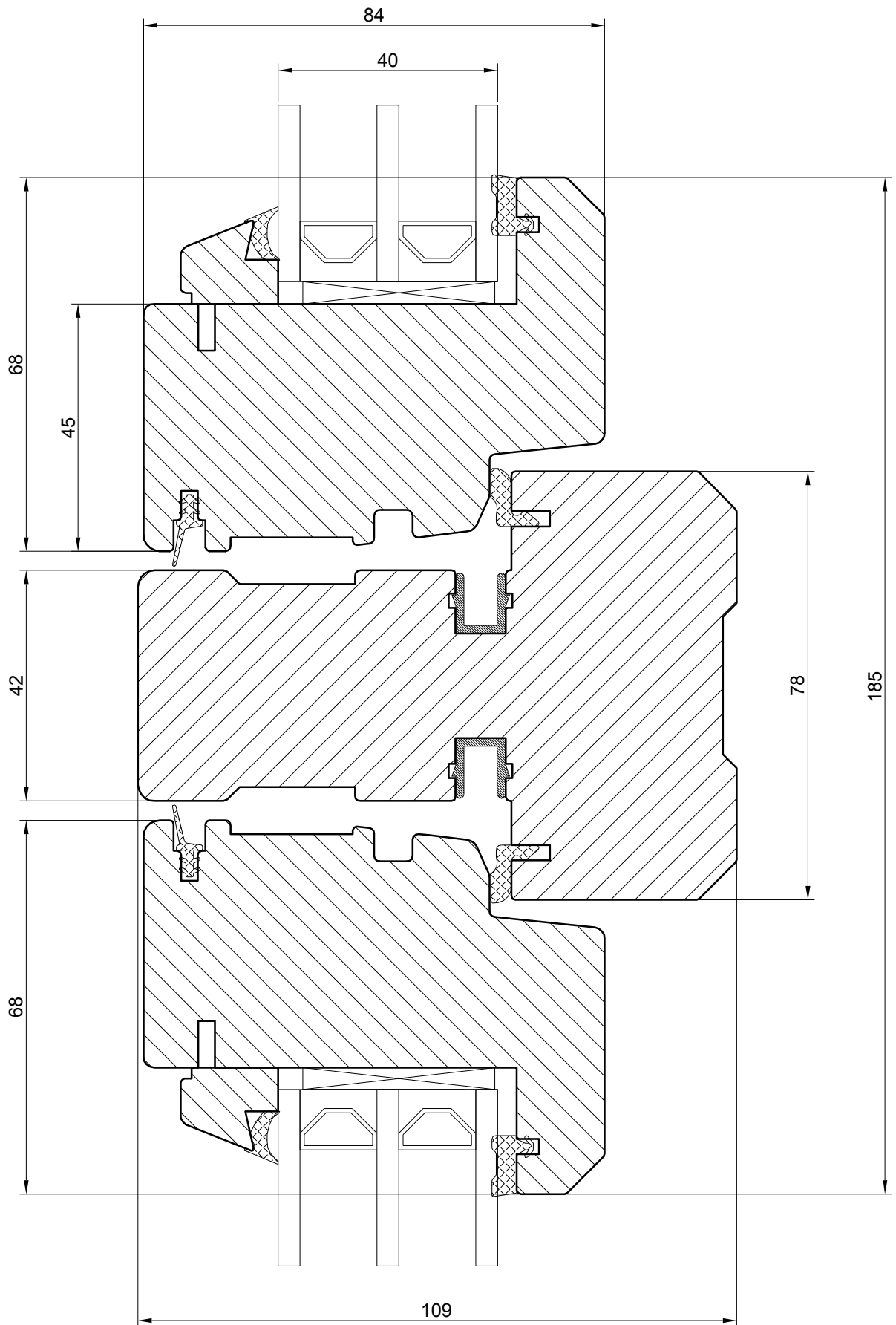
Ul. Rataja 6, Rusocin  
83-031 Łęgowo  
+48 692 22 00  
biuro@norwood.pl

Description **HTSP N109 FULLY REVERSIBLE WINDOW**

**MULLION (30 mm glass)**

Revis.	Date	Size	1:1	Drw.	Date	02.01.2018
--------	------	------	-----	------	------	------------

Verif.	Date	Drawing no.	HTSP - 30 - ml - 01
--------	------	-------------	---------------------



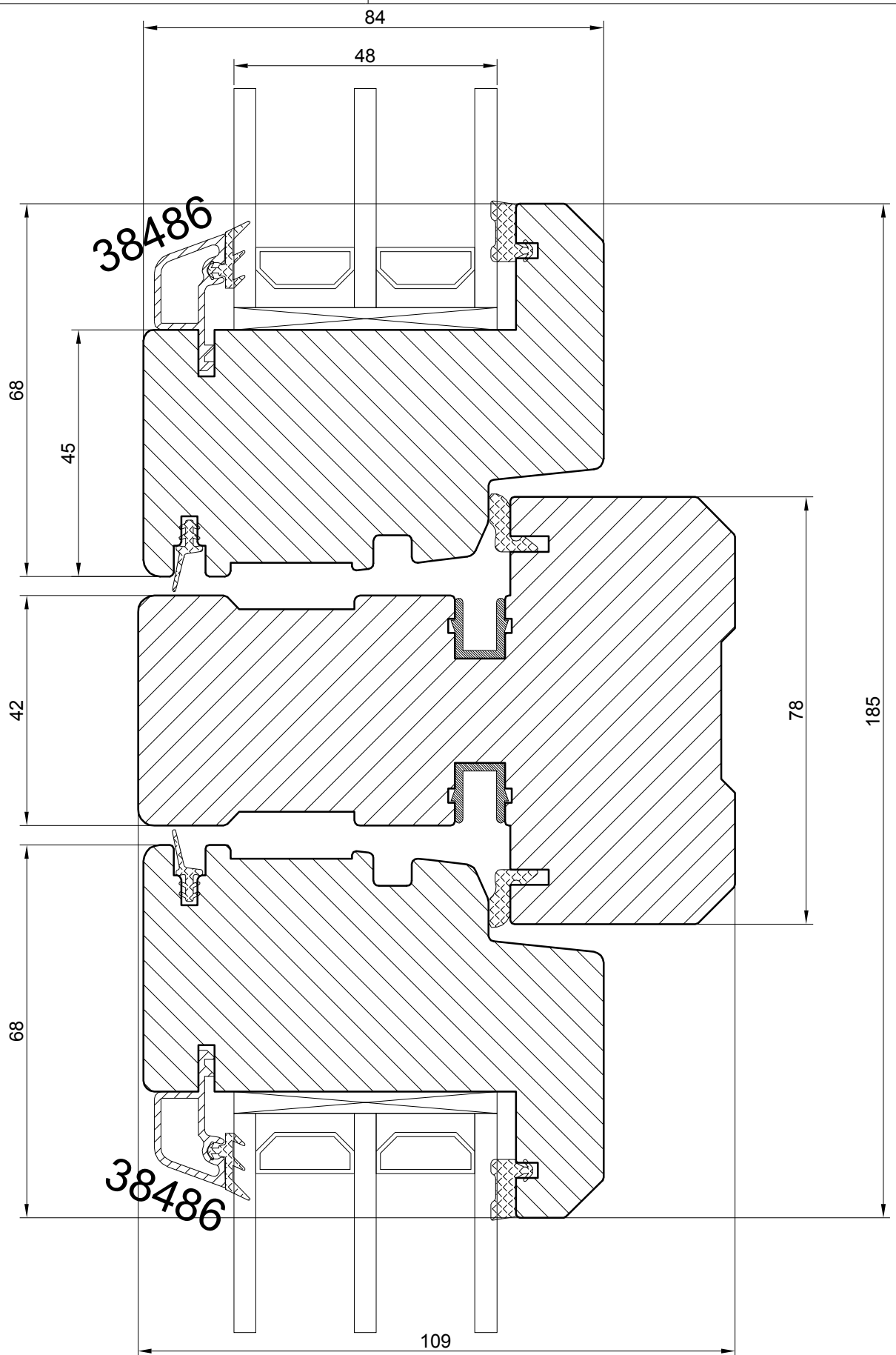
**FULLY REVERSIBLE PASSIVE WINDOW**

**NORWOOD SP.ZO.O.**

Ul. Rataja 6, Rusocin  
83-031 Łęgowo  
+48 692 22 00  
biuro@norwood.pl

Description **HTSP N109 FULLY REVERSIBLE WINDOW**  
**MULLION (40 mm glass)**

Revis.	Date	Size	1:1	Draw.	Date	02.01.2018
Verif.	Date	Drawing no.	HTSP - 40 - ml - 01			



**FULLY REVERSIBLE PASSIVE WINDOW**

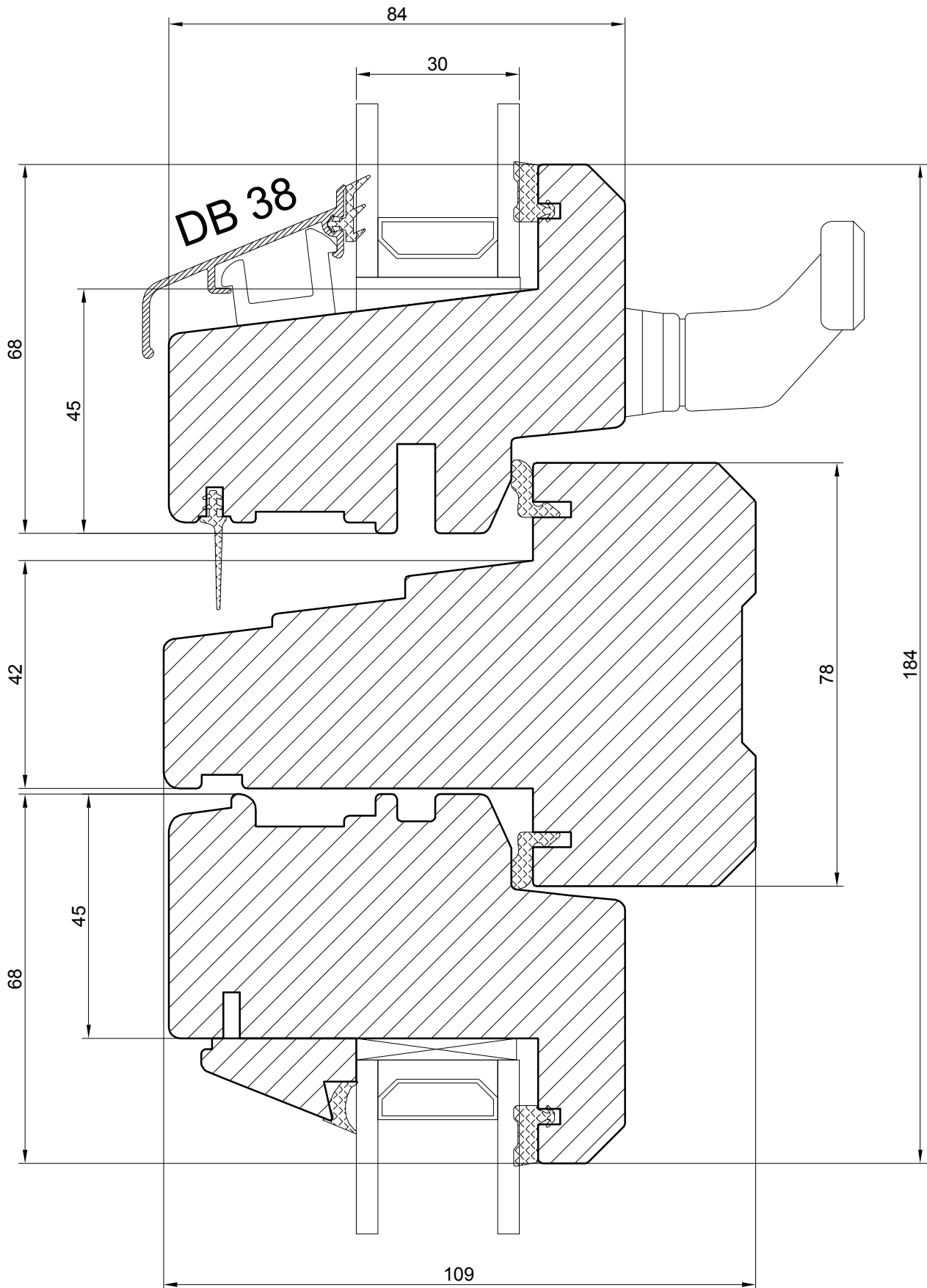
**NORWOOD SP.ZO.O.**

Ul. Rataja 6, Rusocin  
83-031 Łęgowo  
+48 692 22 00  
biuro@norwood.pl

Description **HTSP N109 FULLY REVERSIBLE WINDOW**

**MULLION (48 mm glass)**

Revis.	Date	Size	1:1	Drw.	Date	02.01.2018
Verif.	Date	Drawing no.	HTSP - 48 - ml - 01			



**FULLY REVERSIBLE PASSIVE WINDOW**

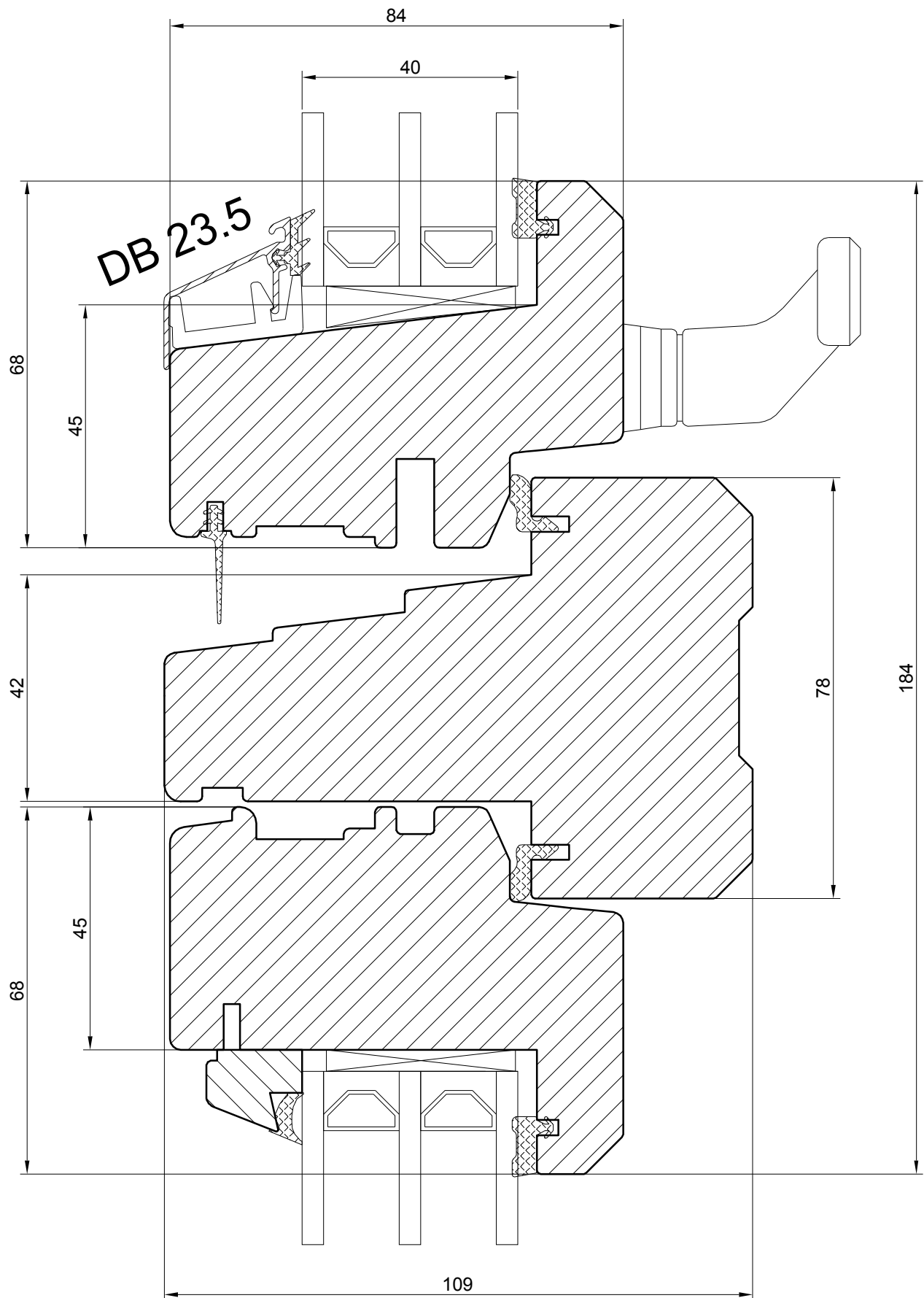
**NORWOOD SP.ZO.O.**

Ul. Rataja 6, Rusocin  
 83-031 Łęgowo  
 +48 692 22 00  
 biuro@norwood.pl

Description **HTSP N109 FULLY REVERSIBLE WINDOW**

**TRANSOM (30 mm glass)**

Revis.	Date	Size	1:1	Drw.	Date	02.01.2018
Verif.	Date	Drawing no.	HTSP - 30 - ts - 01			



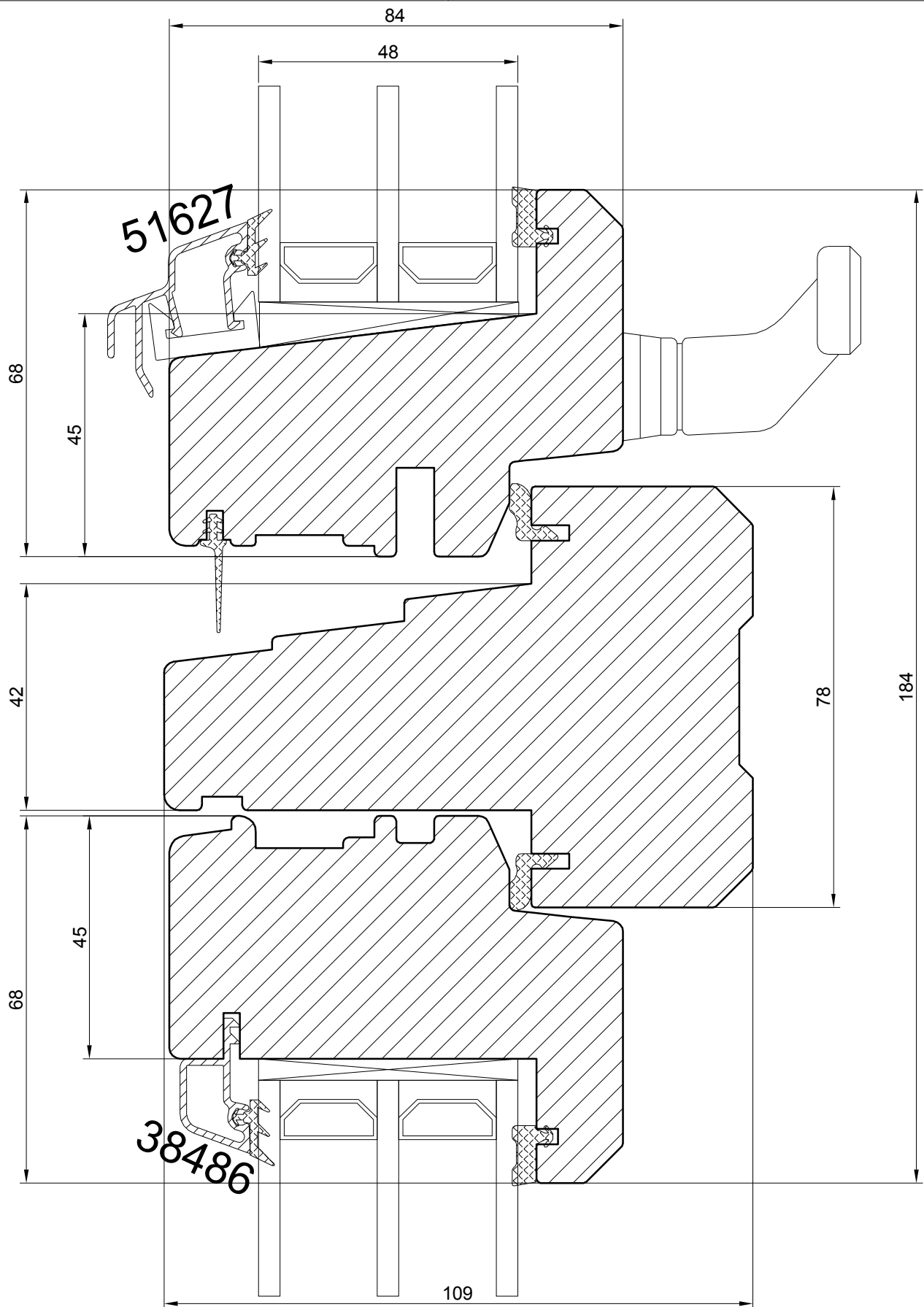
**FULLY REVERSIBLE PASSIVE WINDOW**

**NORWOOD SP.ZO.O.**

Ul. Rataja 6, Rusocin  
 83-031 Łęgowo  
 +48 692 22 00  
 biuro@norwood.pl

Description **HTSP N109 FULLY REVERSIBLE WINDOW  
 TRANSOM (40 mm glass)**

Revis.	Date	Size	1:1	Drw.	Date	02.01.2018
Verif.	Date	Drawing no.	HTSP - 40 - ts - 01			



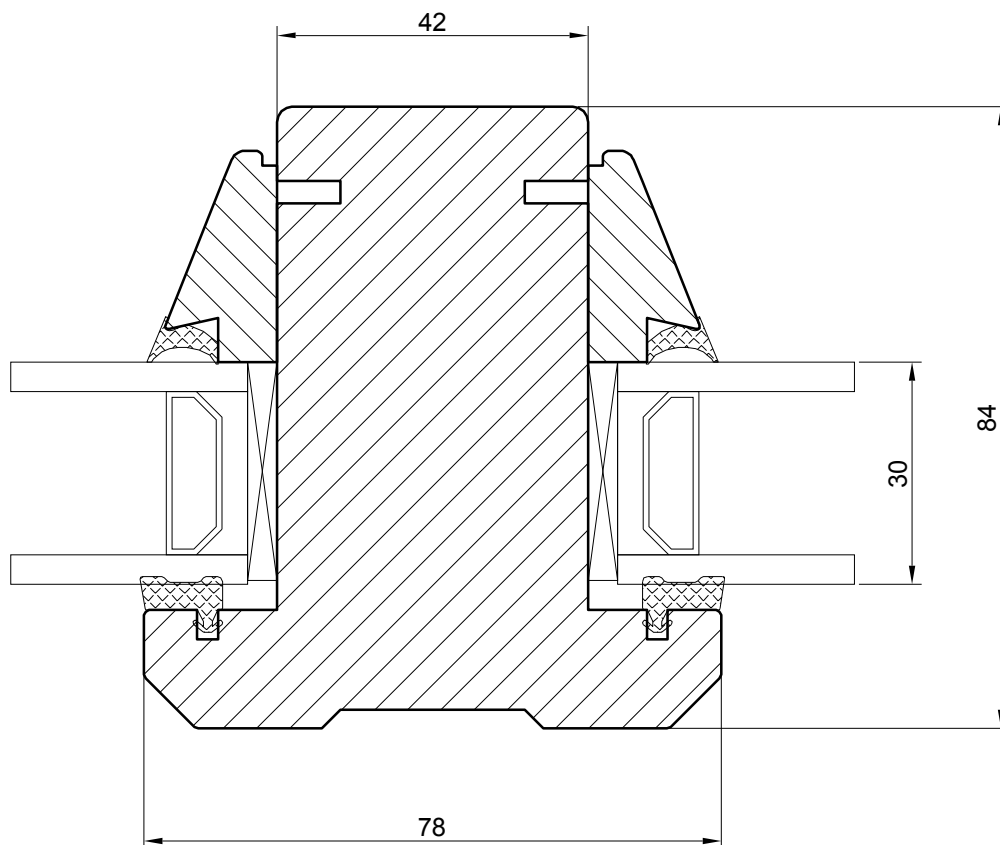
**FULLY REVERSIBLE PASSIVE WINDOW**

**NORWOOD SP.ZO.O.**

Ul. Rataja 6, Rusocin  
83-031 Łęgowo  
+48 692 22 00  
biuro@norwood.pl

Description **HTSP N109 FULLY REVERSIBLE WINDOW  
TRANSOM (48 mm glass)**

Revis.	Date	Size	1:1	Drw.	Date	02.01.2018
Verif.	Date	Drawing no.	HTSP - 48 - ts - 01			



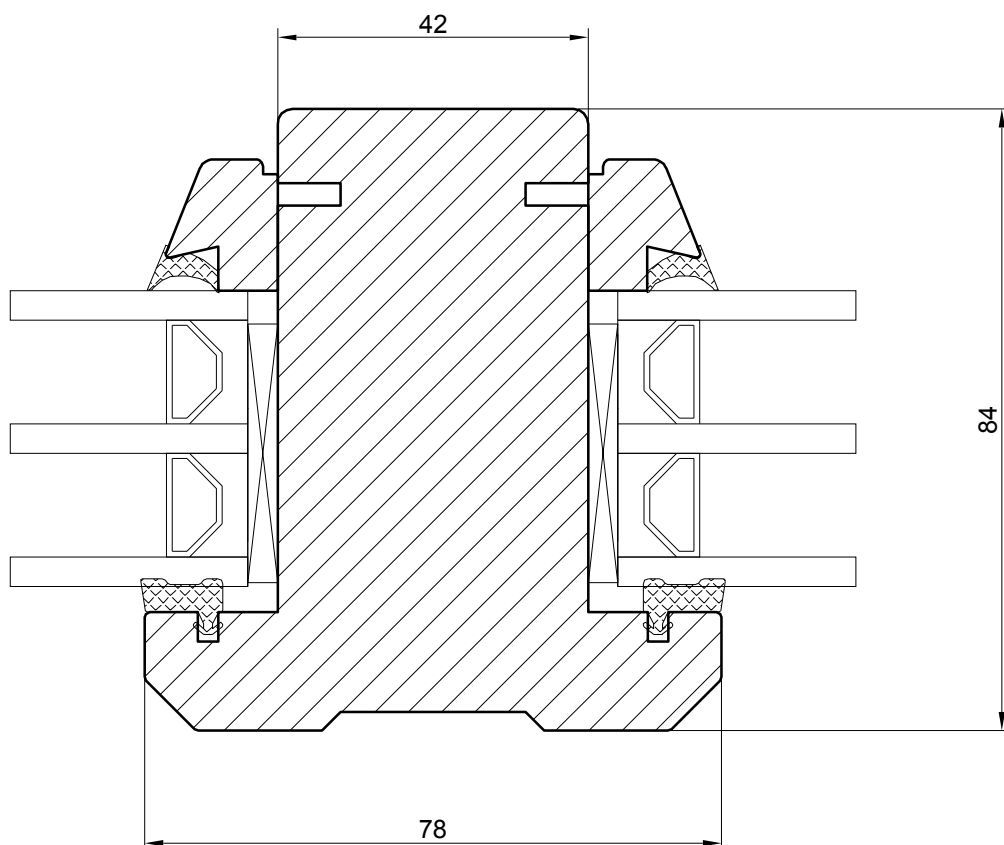
## FULLY REVERSIBLE PASSIVE WINDOW

**NORWOOD SP.ZO.O.**

Ul. Rataja 6, Rusocin  
 83-031 Łęgowo  
 +48 692 22 00  
 biuro@norwood.pl

<i>Description</i>		<b>HTSP N109 FULLY REVERSIBLE WINDOW VERTICAL BAR (30 mm glass)</b>			
<i>Revis.</i>	<i>Date</i>	<i>Size</i>	<i>Drw.</i>	<i>Date</i>	
		1:1		02.01.2018	
<i>Verif.</i>	<i>Date</i>	<i>Drawing no.</i>			
		HTSP - 30 - vs - 01			





## FULLY REVERSIBLE PASSIVE WINDOW

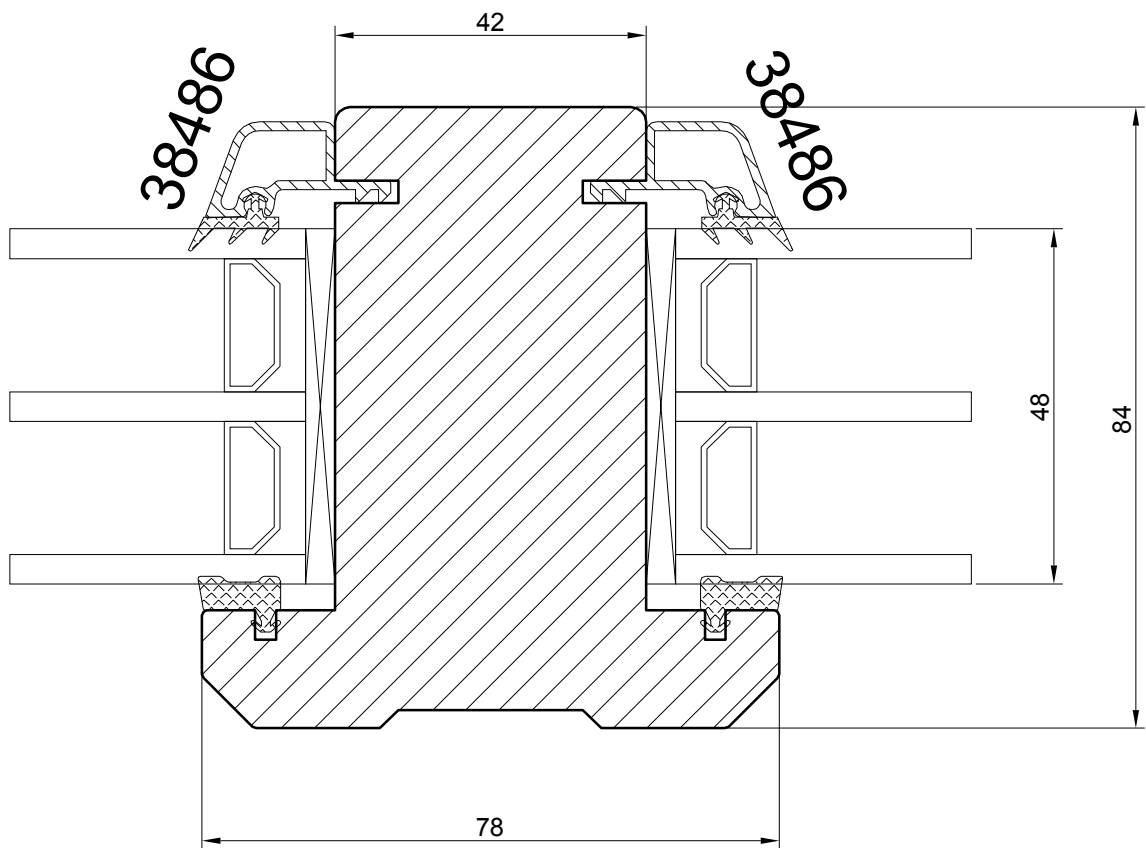
**NORWOOD SP.ZO.O.**

Ul. Rataja 6, Rusocin  
83-031 Łęgowo  
+48 692 22 00  
biuro@norwood.pl

*Description* **HTSP N109 FULLY REVERSIBLE WINDOW**

**VERTICAL BAR (40 mm glass)**

<i>Revis.</i>	<i>Date</i>	<i>Size</i> <b>1:1</b>	<i>Drw.</i>	<i>Date</i> <b>02.01.2018</b>
<i>Verif.</i>	<i>Date</i>	<i>Drawing no.</i> <b>HTSP - 40 - vs - 01</b>		



## FULLY REVERSIBLE PASSIVE WINDOW

**NORWOOD SP.ZO.O.**

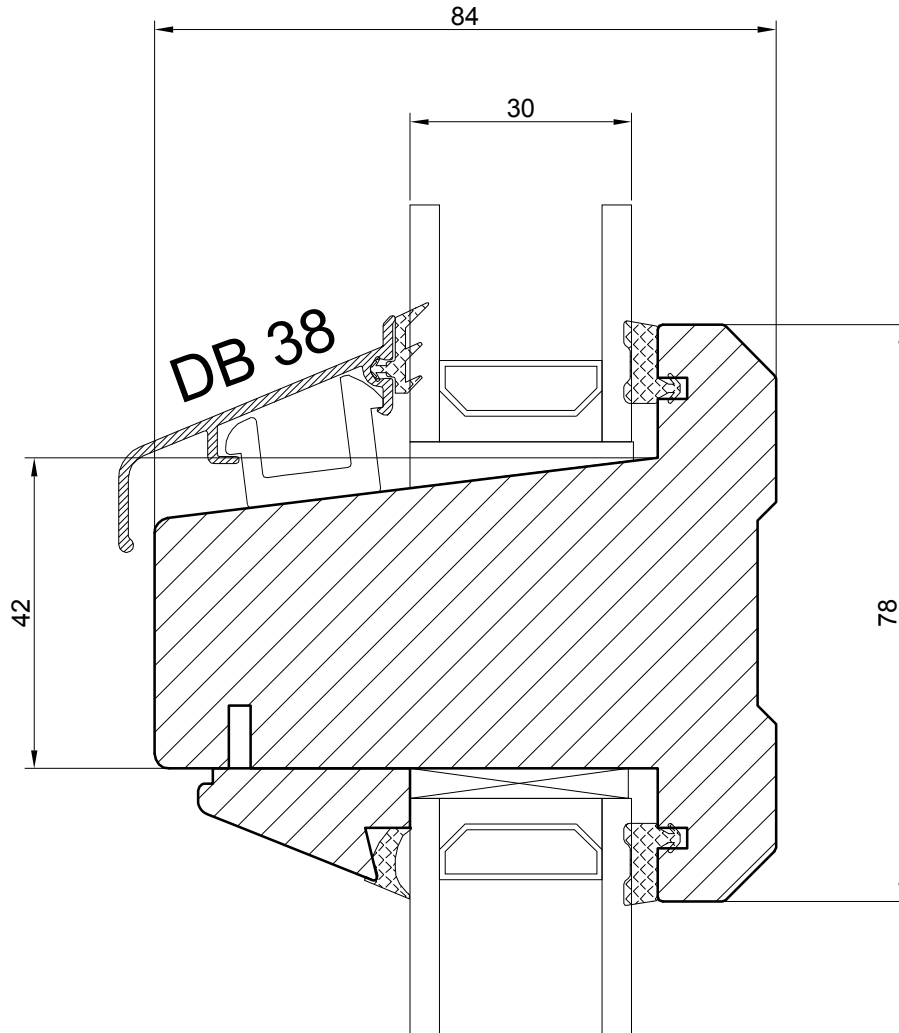
Ul. Rataja 6, Rusocin  
 83-031 Łęgowo  
 +48 692 22 00  
 biuro@norwood.pl

Description: **HTSP N109 FULLY REVERSIBLE WINDOW**

**VERTICAL BAR (48 mm glass)**

Revis.	Date	Size	1:1	Drw.	Date	02.01.2018
--------	------	------	-----	------	------	------------

Verif.	Date	Drawing no.	HTSP - 48 - vs - 01
--------	------	-------------	---------------------



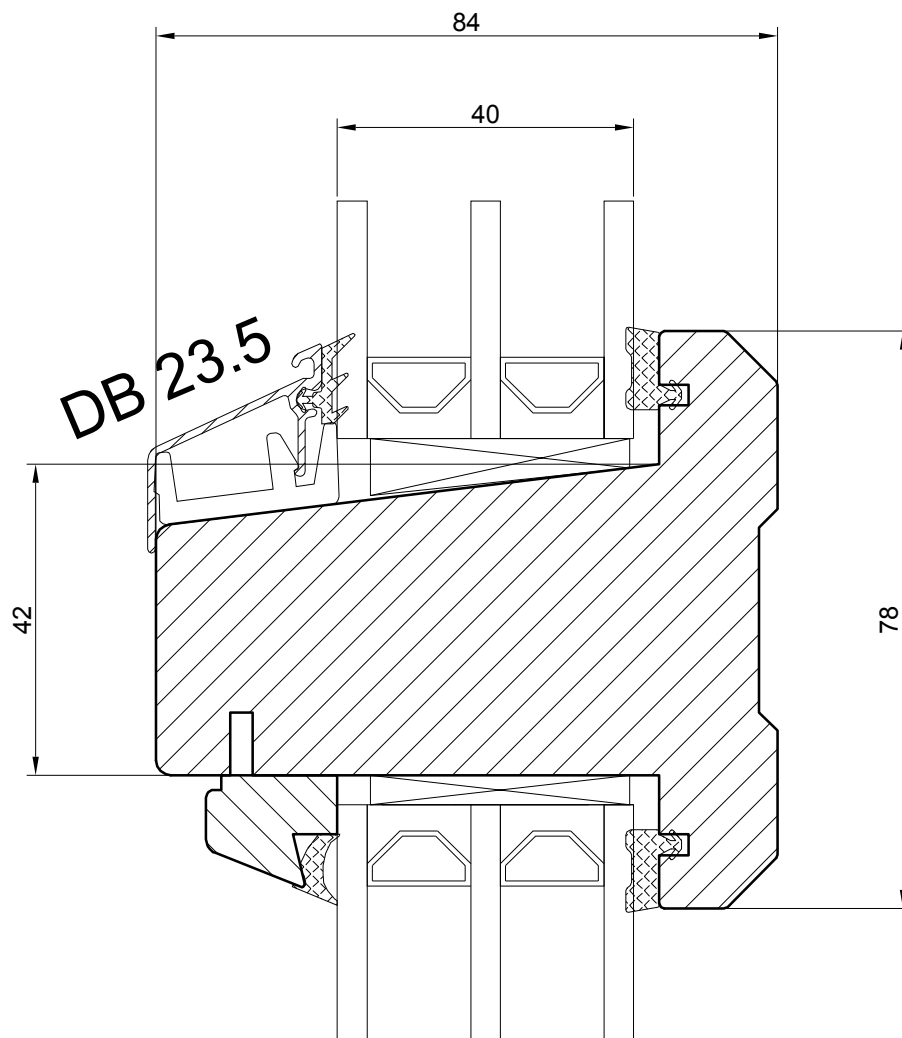
**FULLY REVERSIBLE PASSIVE WINDOW**

**NORWOOD SP.ZO.O.**

Ul. Rataja 6, Rusocin  
 83-031 Łęgowo  
 +48 692 22 00  
 biuro@norwood.pl

*Description* **HTSP N109 FULLY REVERSIBLE WINDOW**  
**HORIZONTAL BAR (30 mm glass)**

<i>Revis.</i>	<i>Date</i>	<i>Size</i> <b>1:1</b>	<i>Drw.</i>	<i>Date</i> <b>02.01.2018</b>
<i>Verif.</i>	<i>Date</i>	<i>Drawing no.</i> <b>HTSP - 30 - hs - 01</b>		



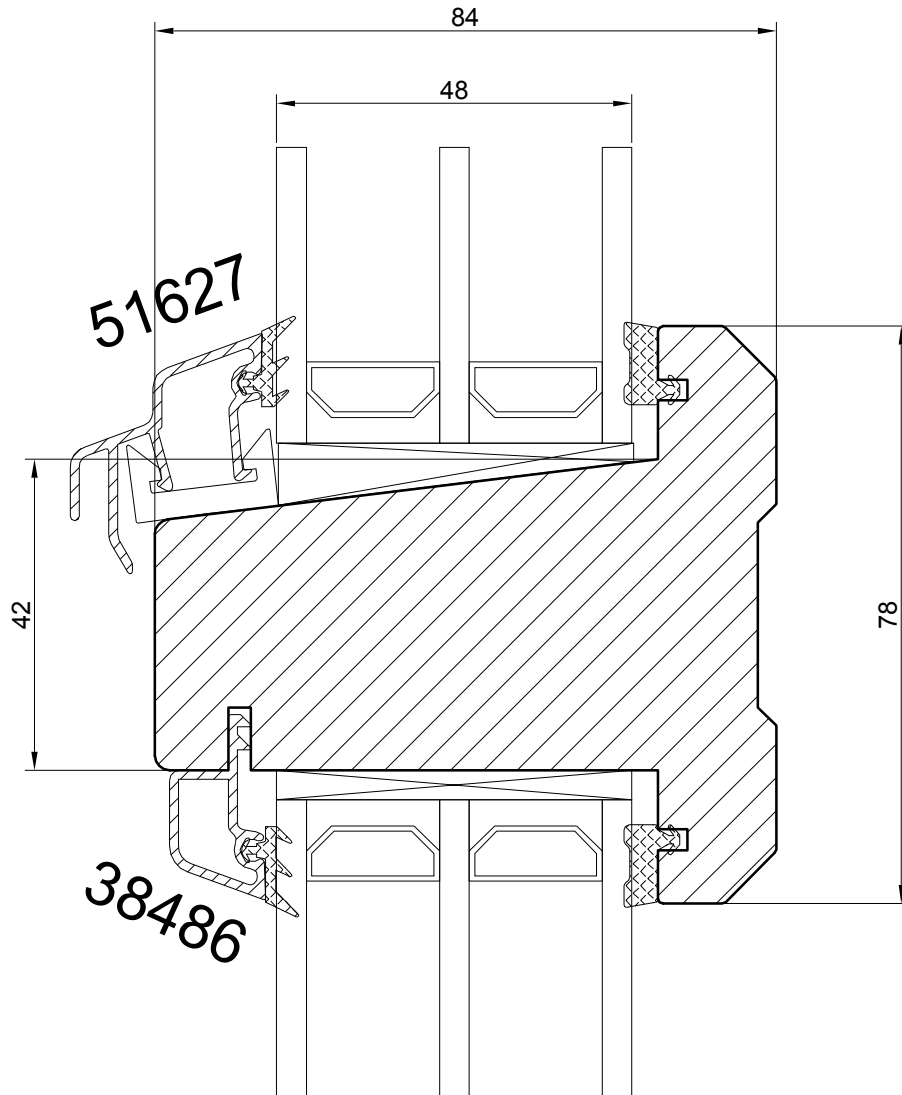
## FULLY REVERSIBLE PASSIVE WINDOW

**NORWOOD SP.ZO.O.**

Ul. Rataja 6, Rusocin  
83-031 Łęgowo  
+48 692 22 00  
biuro@norwood.pl

Description **HTSP N109 FULLY REVERSIBLE WINDOW**  
**HORIZONTAL BAR (40 mm glass)**

Revis.	Date	Size	1:1	Draw.	Date	02.01.2018
Verif.	Date	Drawing no.	HTSP - 40 - hs - 01			



**FULLY REVERSIBLE PASSIVE WINDOW**

**NORWOOD SP.ZO.O.**

Ul. Rataja 6, Rusocin  
83-031 Łęgowo  
+48 692 22 00  
biuro@norwood.pl

Description **HTSP N109 FULLY REVERSIBLE WINDOW**  
**HORIZONTAL BAR (48 mm glass)**

Revis.	Date	Size	1:1	Drw.	Date	02.01.2018
Verif.	Date	Drawing no.	HTSP - 48 - hs - 01			