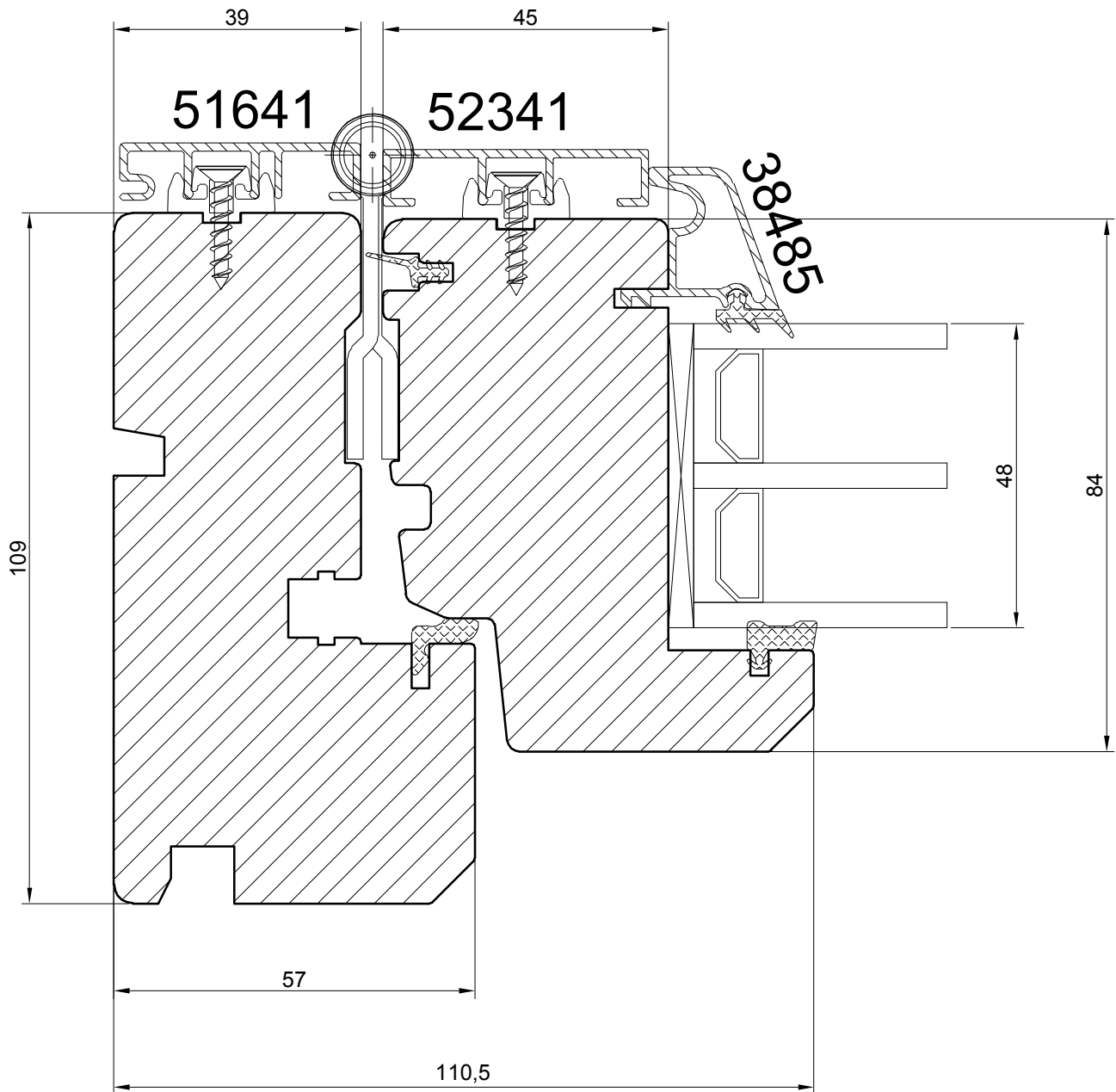


SIDE HINGED PASSIVE WINDOW WITH ALU CLAD

NORWOOD SP.ZO.O.

Ul. Rataja 6, Rusocin
83-031 Łęgowo
+48 692 22 00
biuro@norwood.pl

<i>Description</i>		SHPA N109 SIDE HINGED WINDOW HEAD SECTION (48 mm glass)	
<i>Revis.</i>	<i>Date</i>	<i>Size</i>	<i>Draw.</i>
		1 : 1	02.01.2018
<i>Verif.</i>	<i>Date</i>	<i>Drawing n.</i>	SHPA - 48 - he - 01

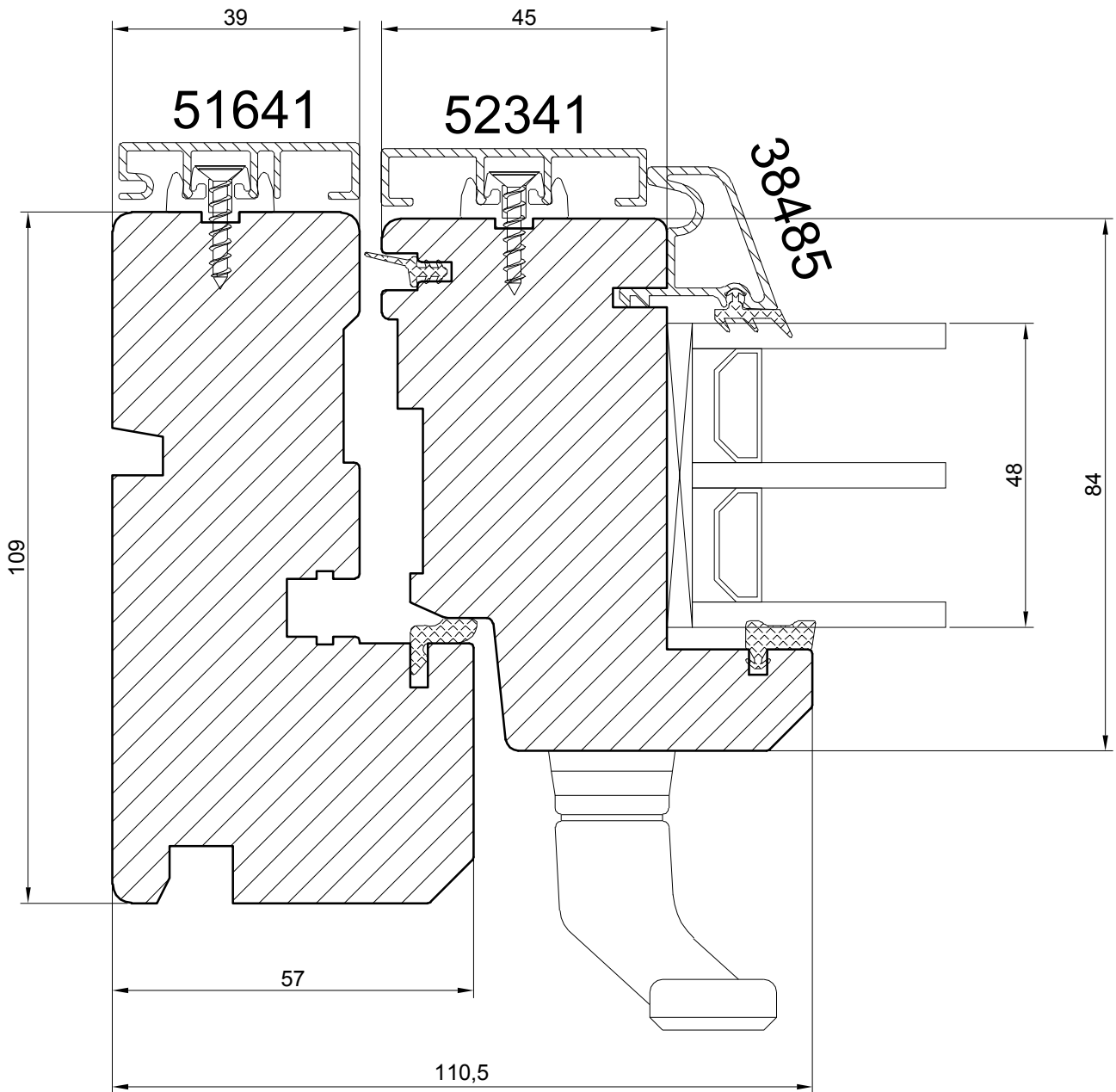


SIDE HINGED PASSIVE WINDOW WITH ALU CLAD

NORWOOD SP.ZO.O.

Ul. Rataja 6, Rusocin
83-031 Łęgowo
+48 692 22 00
biuro@norwood.pl

<i>Description</i>		SHPA N109 SIDE HINGED WINDOW JAMB SECTION hinge side (48 mm glass)		
<i>Revis.</i>	<i>Date</i>	<i>Size</i>	<i>Drw.</i>	<i>Date</i>
		1 : 1		02.01.2018
<i>Verif.</i>	<i>Date</i>	<i>Drawing n.</i> SHPA - 48 - sch - 01		

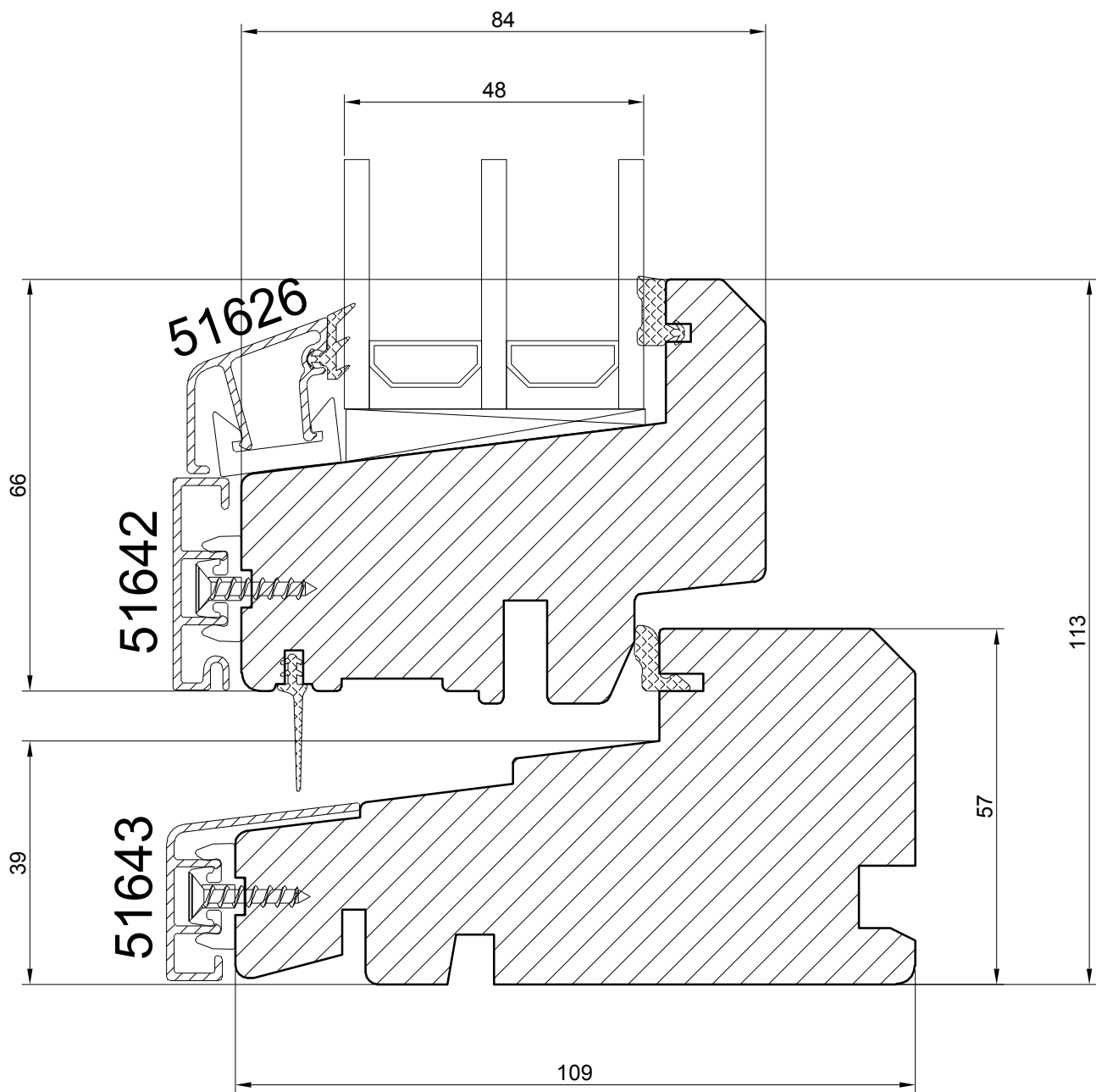


SIDE HINGED PASSIVE WINDOW WITH ALU CLAD

NORWOOD SP.ZO.O.

Ul. Rataja 6, Rusocin
83-031 Łęgowo
+48 692 22 00
biuro@norwood.pl

<i>Description</i>		SHPA N109 SIDE HINGED WINDOW	
		JAMB SECTION handle side (48 mm glass)	
<i>Revis.</i>	<i>Date</i>	<i>Size</i> 1:1	<i>Drw.</i> <i>Date</i> 02.01.2018
<i>Verif.</i>	<i>Date</i>	<i>Drawing n.</i>	SHPA - 48 - sel - 01

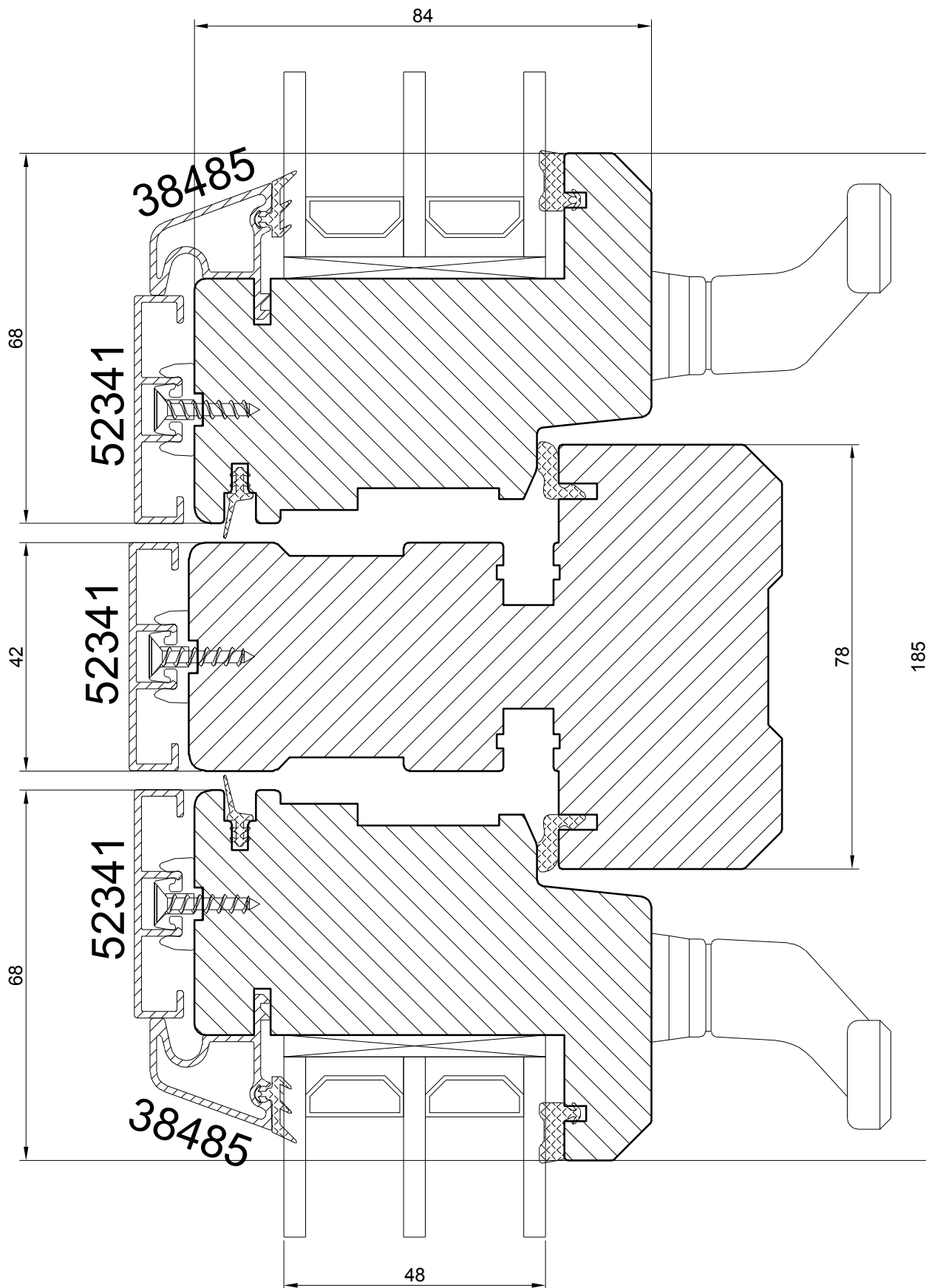


SIDE HINGED PASSIVE WINDOW WITH ALU CLAD

NORWOOD SP.ZO.O.

Ul. Rataja 6, Rusocin
83-031 Łęgowo
+48 692 22 00
biuro@norwood.pl

<i>Description</i>		SHPA N109 SIDE HINGED WINDOW SILL SECTION (48 mm glass)		
<i>Revis.</i>	<i>Date</i>	<i>Size</i>	<i>Drw.</i>	<i>Date</i>
		1 : 1		02.01.2018
<i>Verif.</i>	<i>Date</i>	<i>Drawing n.</i>	SHPA - 48 - sl - 01	

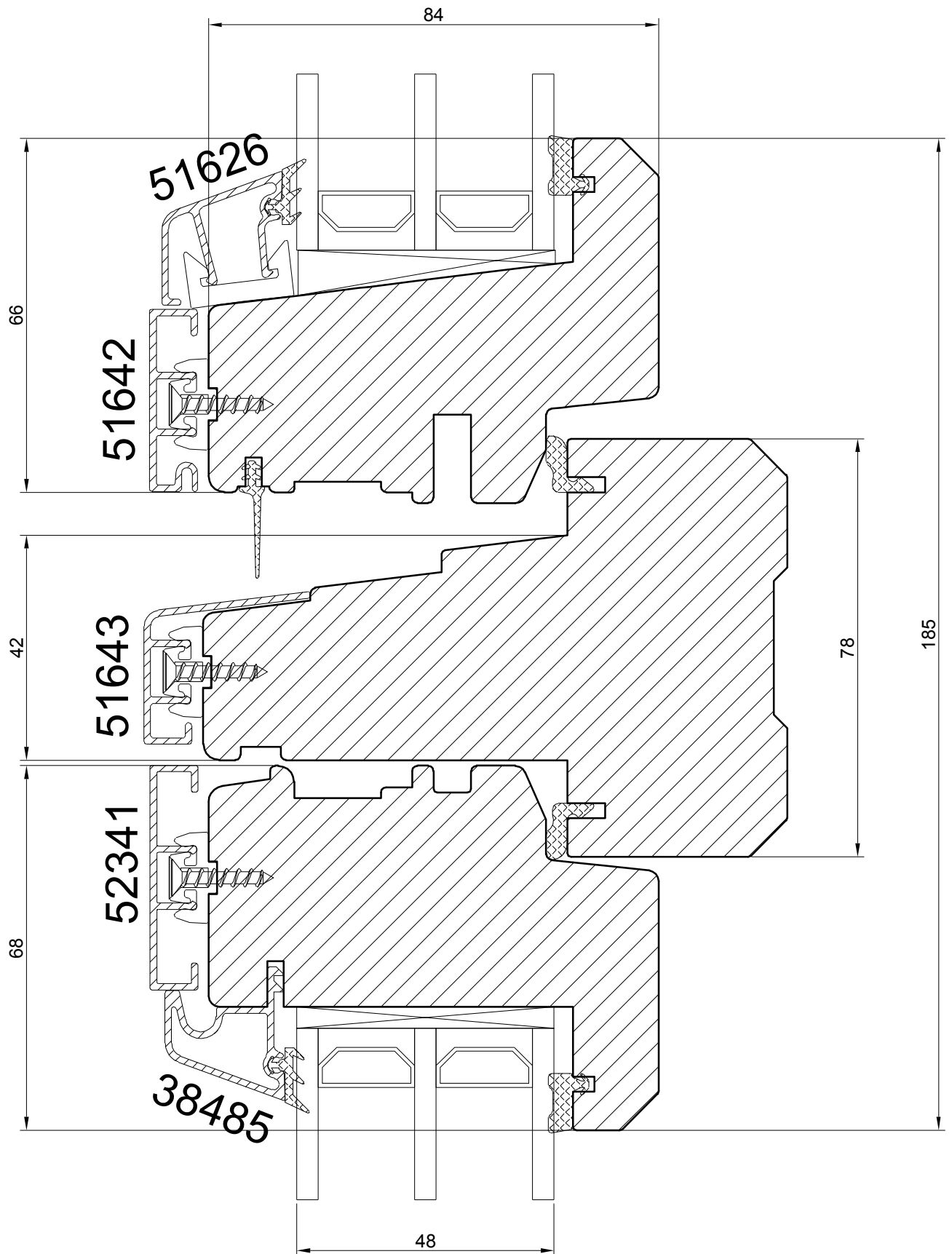


SIDE HINGED PASSIVE WINDOW WITH ALU CLAD

NORWOOD SP.ZO.O.

Ul. Rataja 6, Rusocin
83-031 Łęgowo
+48 692 22 00
biuro@norwood.pl

<i>Description</i>		SHPA N109 SIDE HINGED WINDOW	
		MULLION (48 mm glass)	
<i>Revis.</i>	<i>Date</i>	<i>Size</i>	<i>Drw.</i>
		1 : 1	02.01.2018
<i>Verif.</i>	<i>Date</i>	<i>Drawing n.</i>	
		SHPA - 48 - ml - 01	

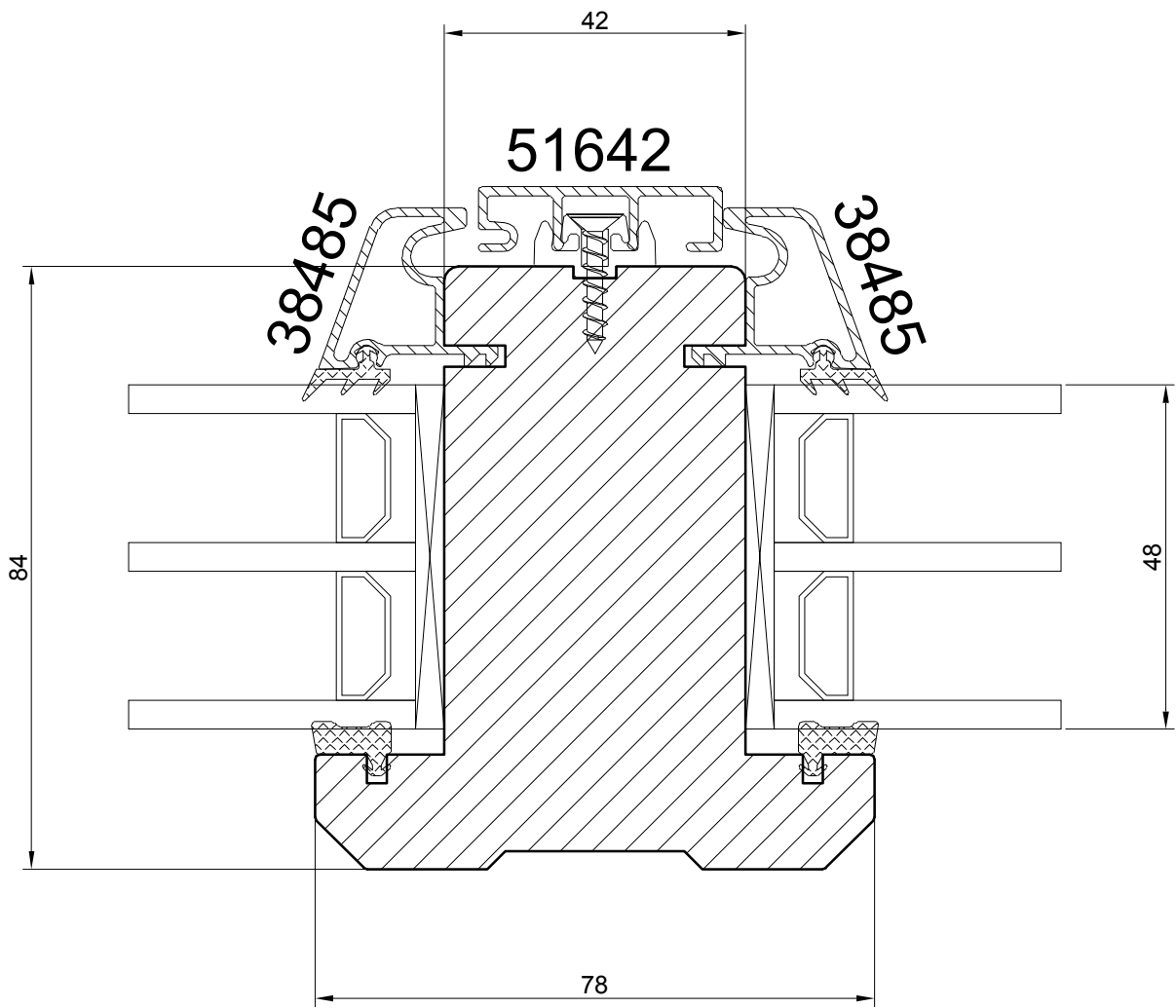


SIDE HINGED PASSIVE WINDOW WITH ALU CLAD

NORWOOD SP.ZO.O.

Ul. Rataja 6, Rusocin
83-031 Łęgowo
+48 692 22 00
biuro@norwood.pl

<i>Description</i>		SHPA N109 SIDE HINGED WINDOW TRANSOM (48 mm glass)	
<i>Revis.</i>	<i>Date</i>	<i>Size</i> 1:1	<i>Drw.</i> <i>Date</i> 02.01.2018
<i>Verif.</i>	<i>Date</i>	<i>Drawing n.</i>	SHPA - 48 - ts - 01

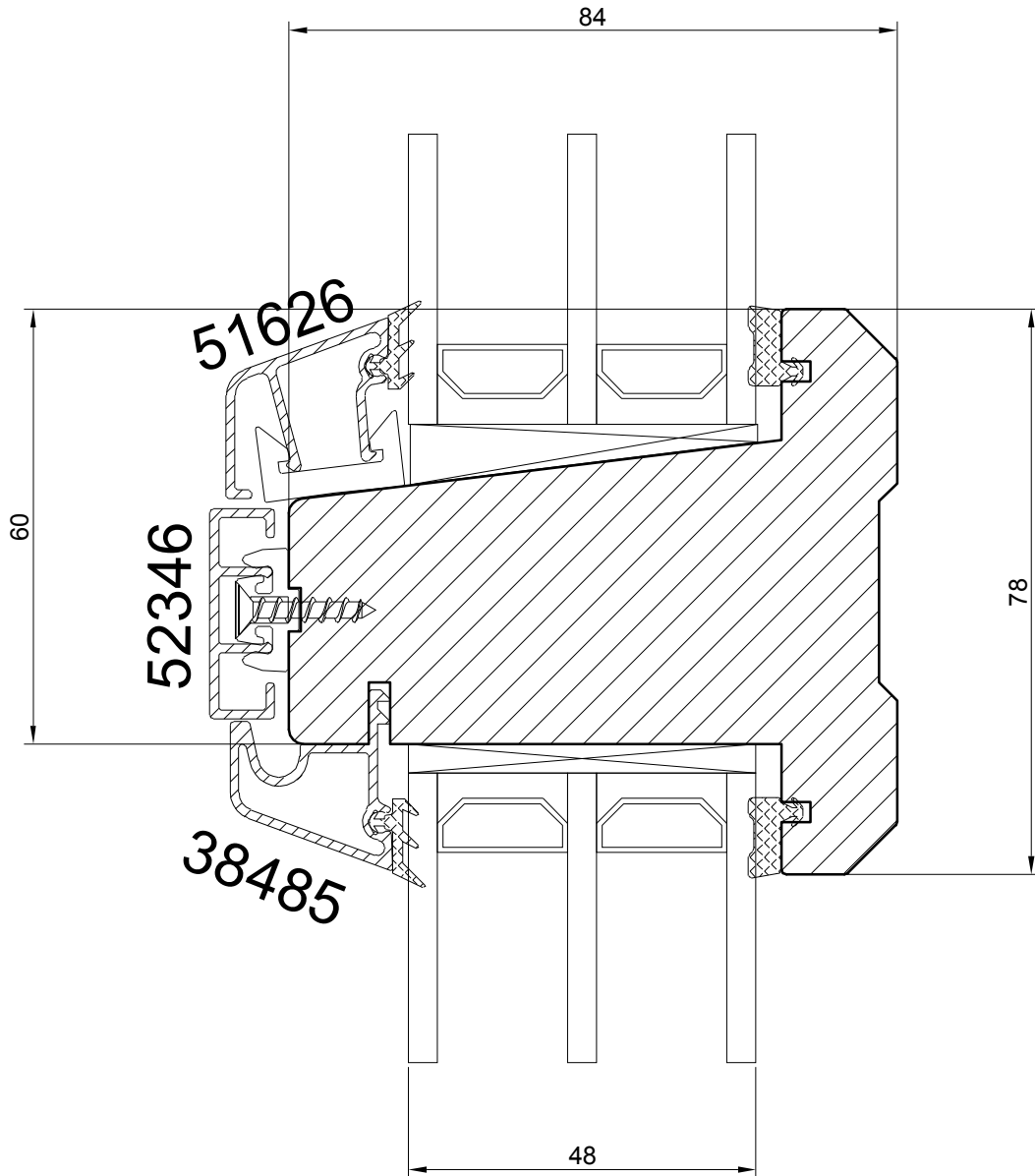


SIDE HINGED PASSIVE WINDOW WITH ALU CLAD

NORWOOD SP.ZO.O.

Ul. Rataja 6, Rusocin
 83-031 Łęgowo
 +48 692 22 00
 biuro@norwood.pl

<i>Description</i>		SHPA N109 SIDE HINGED WINDOW	
		VERTICAL BAR 78 (48 mm glass)	
<i>Revis.</i>	<i>Date</i>	<i>Size</i>	<i>Drw.</i>
		1 : 1	02.01.2018
<i>Verif.</i>	<i>Date</i>	<i>Drawing n.</i>	SHPA - 48 - vs78 - 01



SIDE HINGED PASSIVE WINDOW WITH ALU CLAD

NORWOOD SP.ZO.O.

Ul. Rataja 6, Rusocin
83-031 Łęgowo
+48 692 22 00
biuro@norwood.pl

<i>Description</i>		SHPA N109 SIDE HINGED WINDOW	
		HORIZONTAL BAR 78 (48 mm glass)	
<i>Revis.</i>	<i>Date</i>	<i>Size</i>	<i>Drw.</i>
		1 : 1	02.01.2018
<i>Verif.</i>	<i>Date</i>	<i>Drawing n.</i>	
		SHPA - 48 - hs78 - 01	