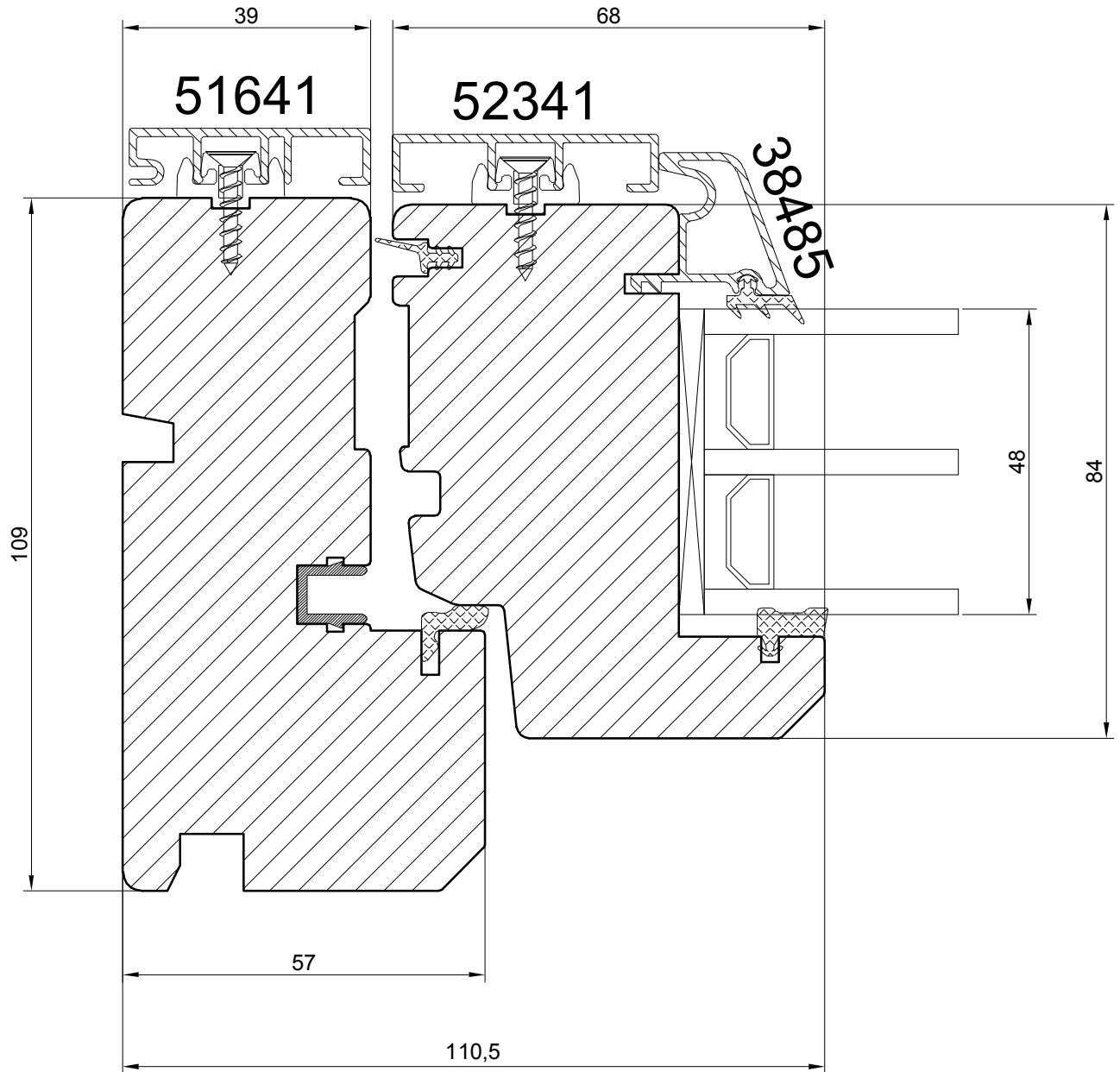


**TOP HINGED PASSIVE WINDOW WITH ALU CLAD**

**NORWOOD SP.ZO.O.**

Ul. Rataja 6, Rusocin  
 83-031 Łęgowo  
 +48 692 22 00  
 biuro@norwood.pl

<i>Description</i> <b>THPA N109 TOP HINGED WINDOW HEAD SECTION (48 mm glass)</b>			
<i>Revis.</i>	<i>Date</i>	<i>Size</i> <b>1:1</b>	<i>Drw.</i> <i>Date</i> <b>02.01.2018</b>
<i>Verif.</i>	<i>Date</i>	<i>Drawing n.</i> <b>THPA - 48 - he - 01</b>	



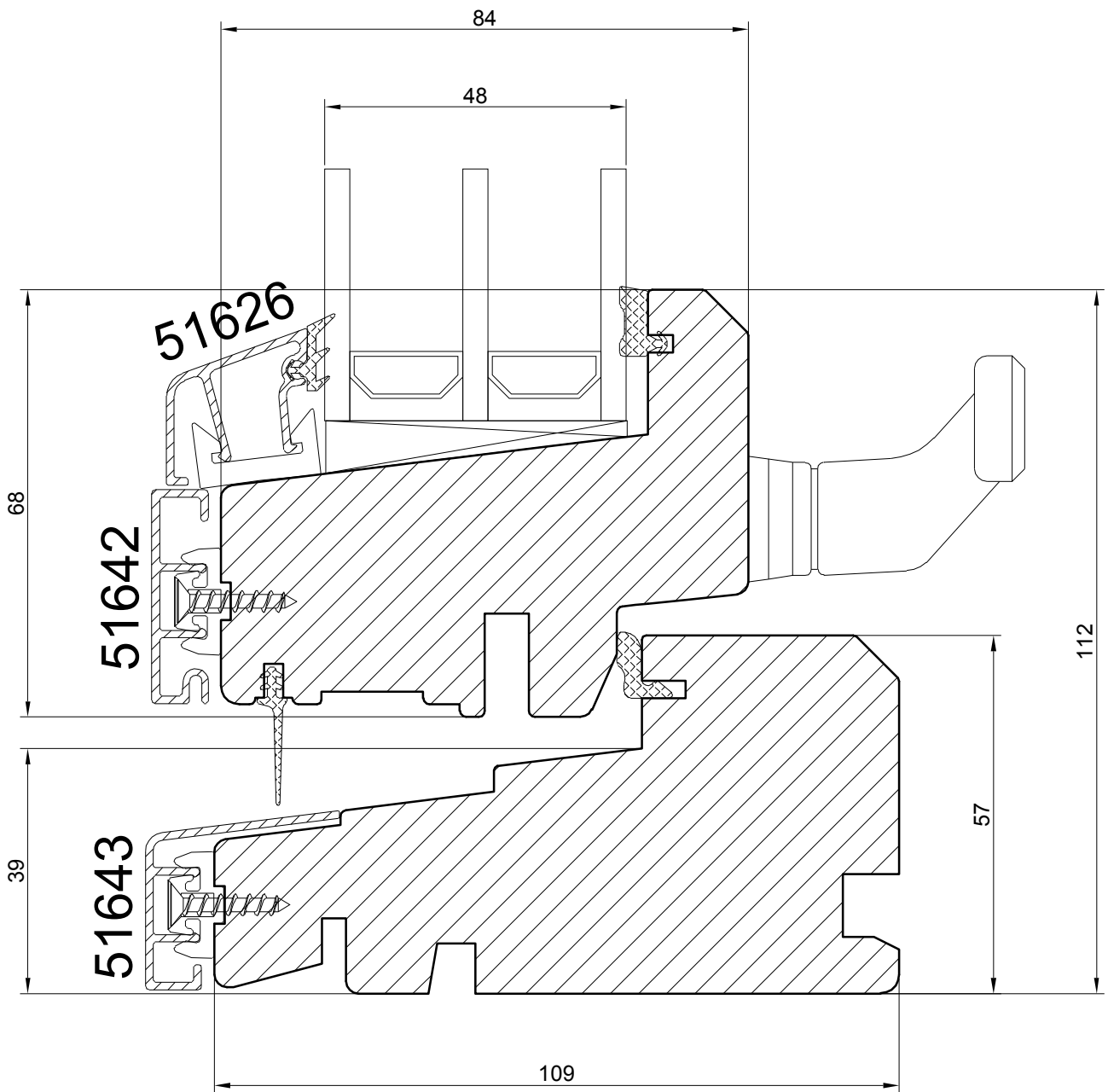
**TOP HINGED PASSIVE WINDOW WITH ALU CLAD**

**NORWOOD SP.ZO.O.**

Ul. Rataja 6, Rusocin  
83-031 Łęgowo  
+48 692 22 00  
biuro@norwood.pl

Description **THPA N109 TOP HINGED WINDOW  
JAMB SECTION (48 mm glass)**

Revis.	Date	Size	1:1	Drw.	Date	02.01.2018
Verif.	Date	Drawing n.	THPA - 48 - se - 01			

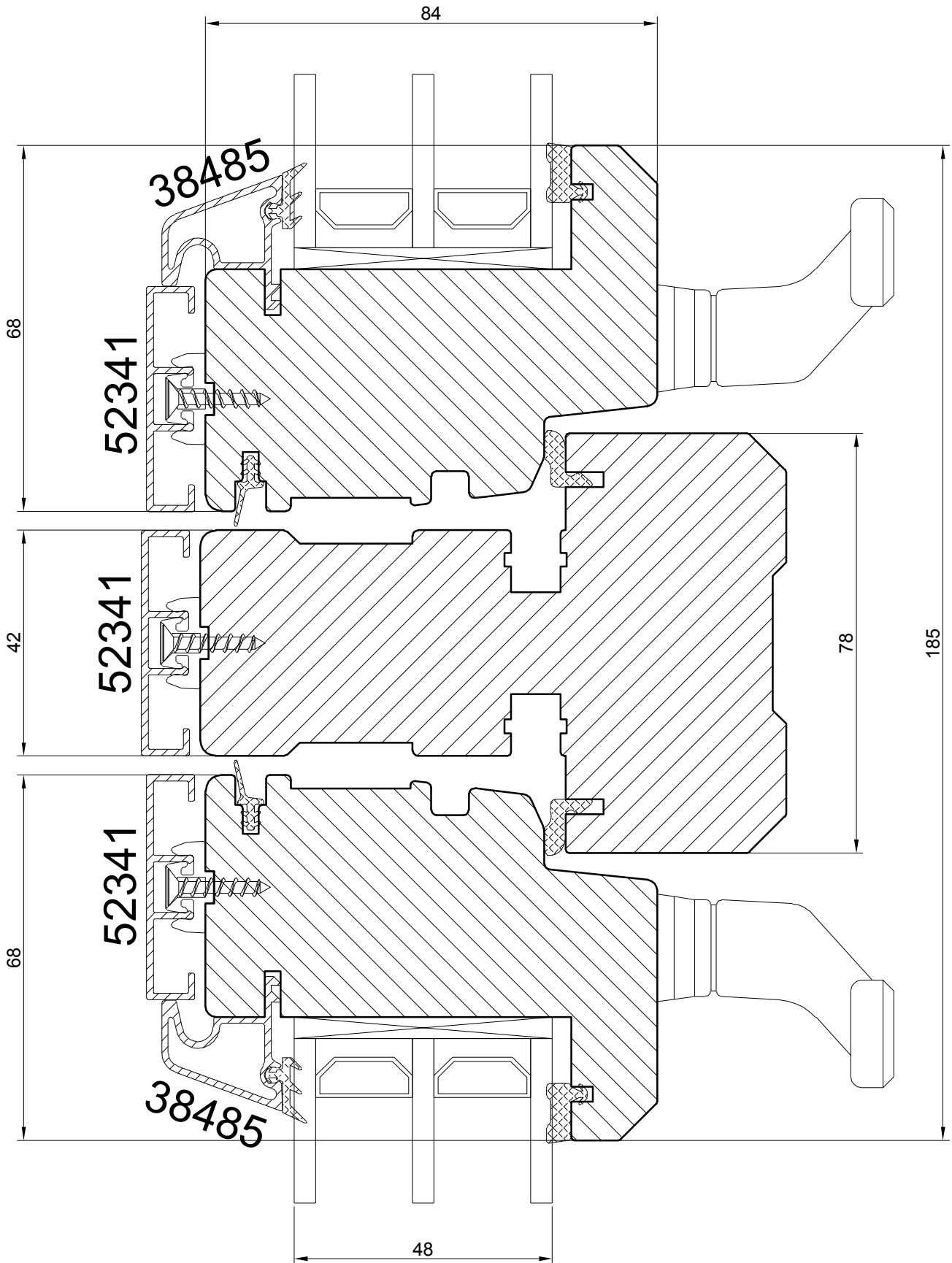


**TOP HINGED PASSIVE WINDOW WITH ALU CLAD**

**NORWOOD SP.ZO.O.**

Ul. Rataja 6, Rusocin  
83-031 Łęgowo  
+48 692 22 00  
biuro@norwood.pl

<i>Description</i>		<b>THPA N109 TOP HINGED WINDOW SILL SECTION (48 mm glass)</b>	
<i>Revis.</i>	<i>Date</i>	<i>Size</i> 1:1	<i>Drw.</i> <i>Date</i> 02.01.2018
<i>Verif.</i>	<i>Date</i>	<i>Drawing n.</i>	<b>THPA - 48 - sl - 01</b>



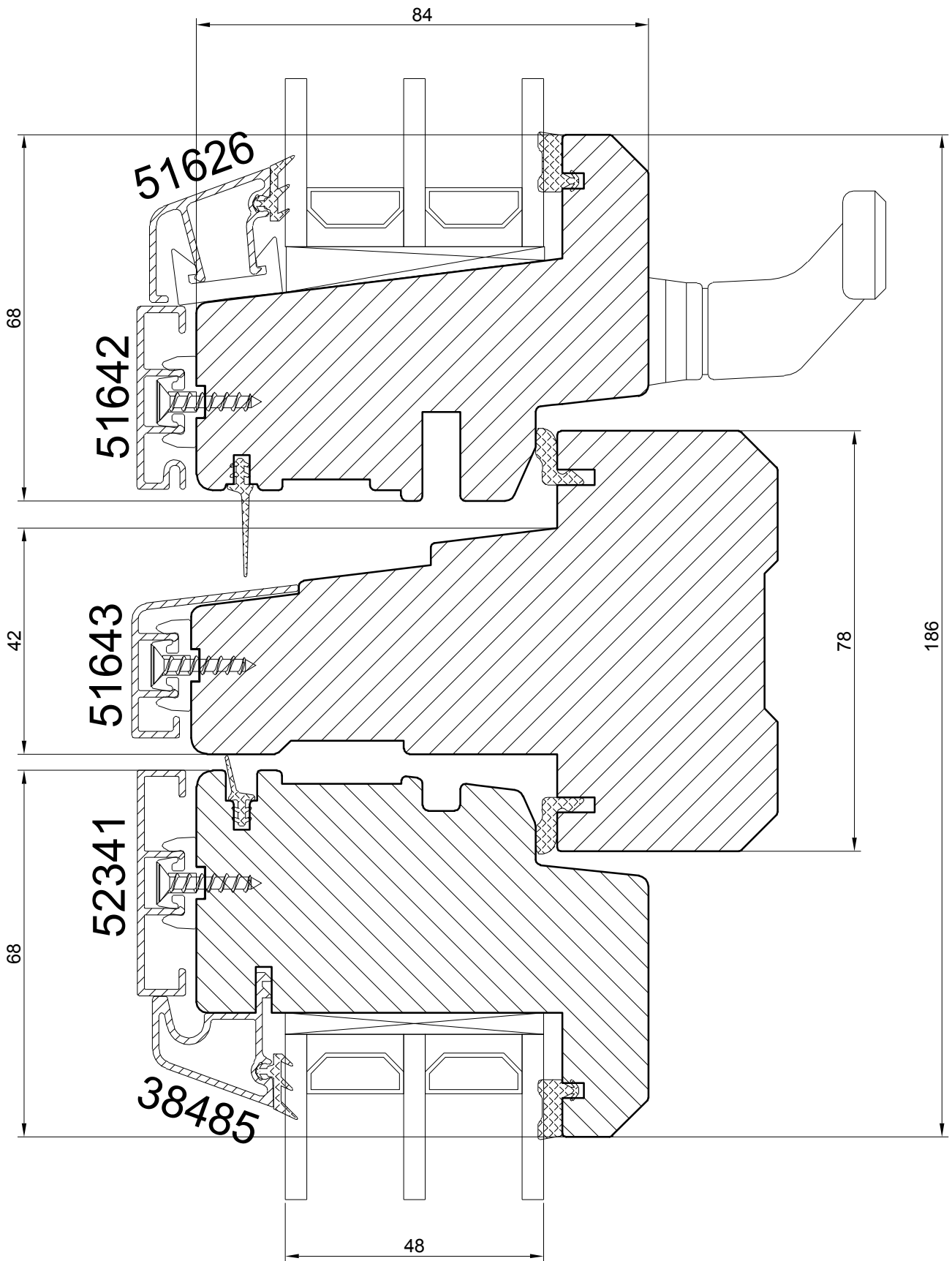
**TOP HINGED PASSIVE WINDOW WITH ALU CLAD**

**NORWOOD SP.ZO.O.**

Ul. Rataja 6, Rusocin  
83-031 Łęgowo  
+48 692 22 00  
biuro@norwood.pl

Description **THPA N109 TOP HINGED WINDOW  
MULLION (48 mm glass)**

Revis.	Date	Size	1:1	Drw.	Date	02.01.2018
Verif.	Date	Drawing n.	THPA - 48 - ml - 01			

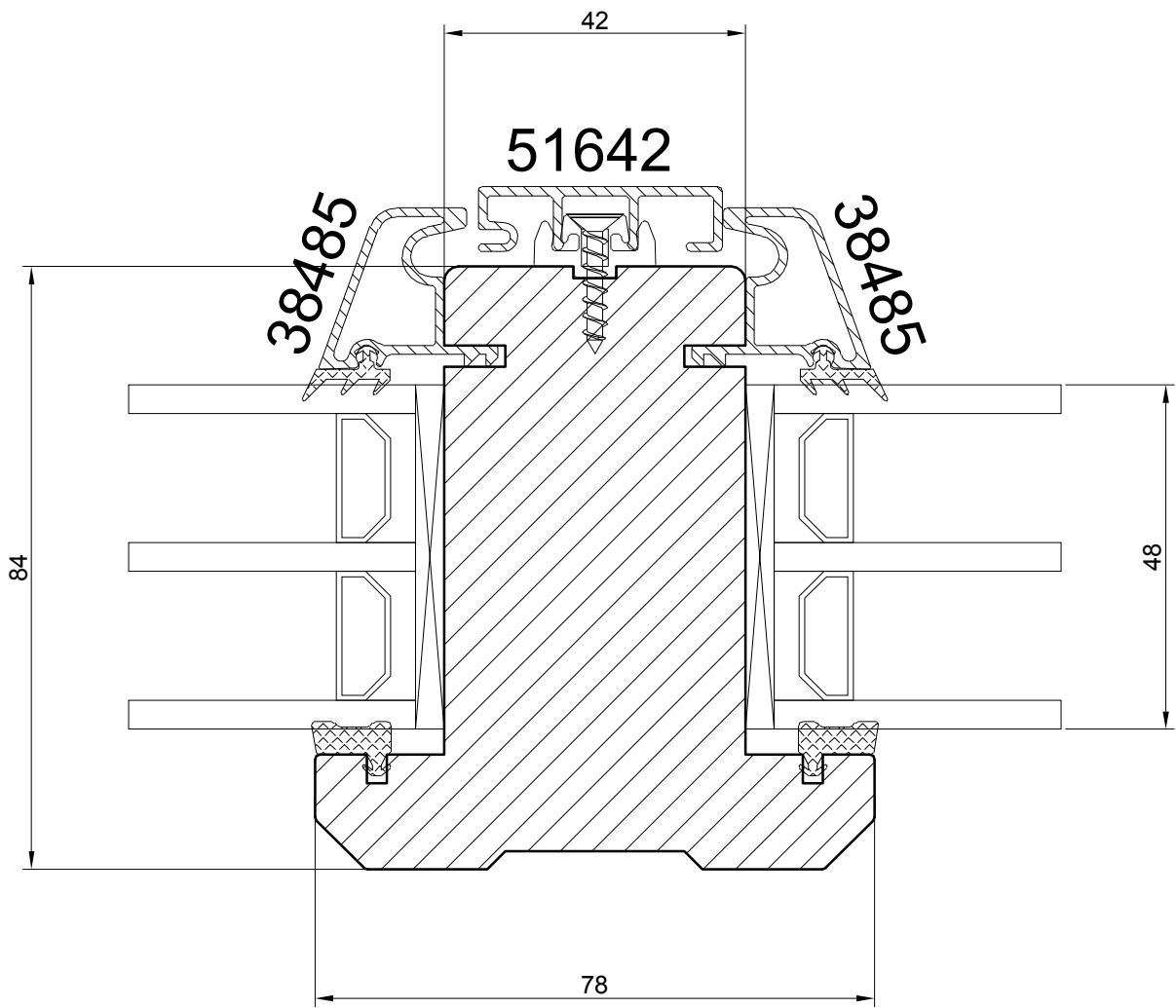


**TOP HINGED PASSIVE WINDOW WITH ALU CLAD**

**NORWOOD SP.ZO.O.**

Ul. Rataja 6, Rusocin  
 83-031 Łęgowo  
 +48 692 22 00  
 biuro@norwood.pl

<i>Description</i>		<b>THPA N109 TOP HINGED WINDOW TRANSOM (48 mm glass)</b>	
<i>Revis.</i>	<i>Date</i>	<i>Size</i> 1:1	<i>Drw.</i> <i>Date</i> 02.01.2018
<i>Verif.</i>	<i>Date</i>	<i>Drawing n.</i>	<b>THPA - 48 - ts - 01</b>

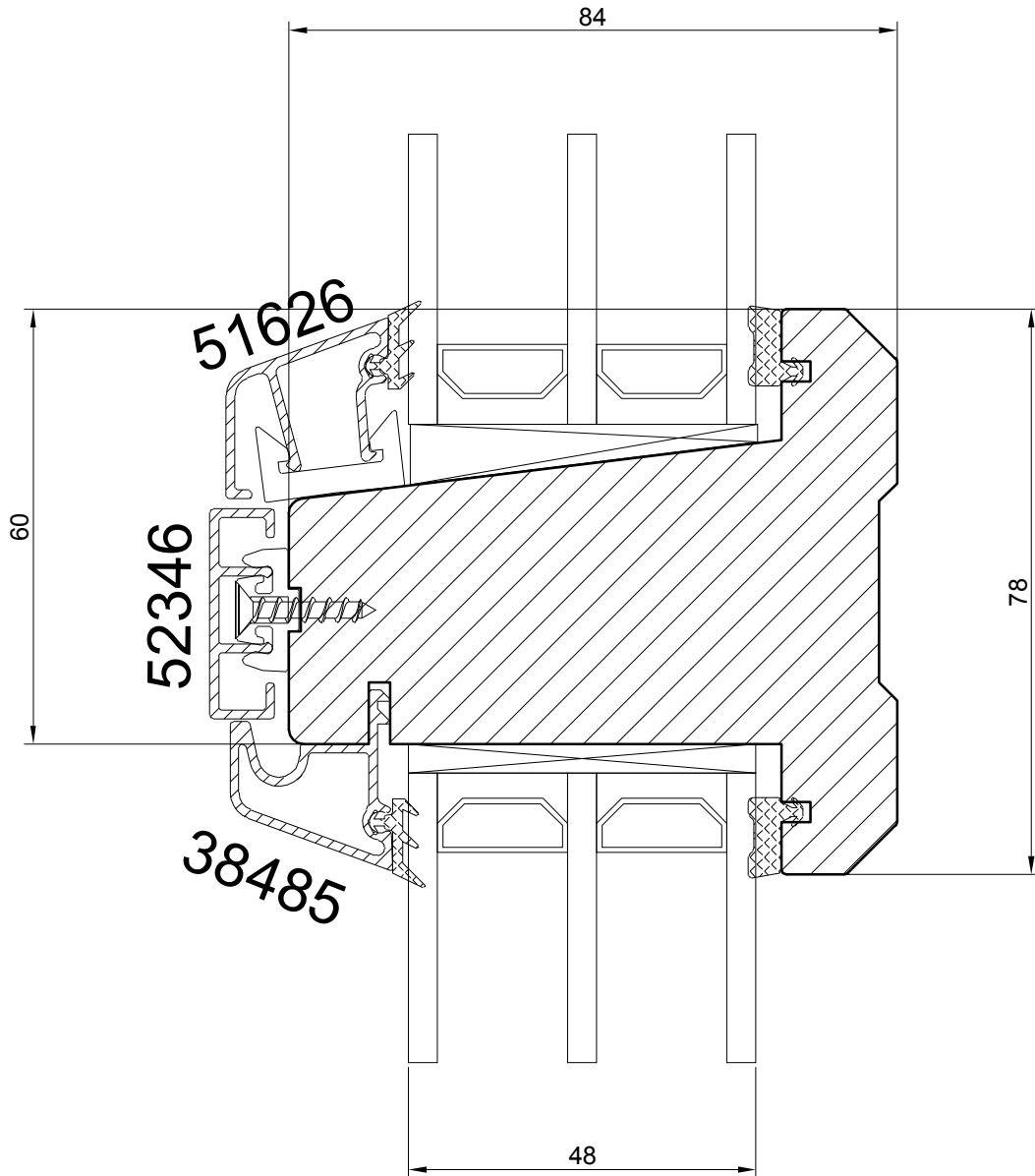


**TOP HINGED PASSIVE WINDOW WITH ALU CLAD**

**NORWOOD SP.ZO.O.**

Ul. Rataja 6, Rusocin  
 83-031 Łęgowo  
 +48 692 22 00  
 biuro@norwood.pl

<i>Description</i>		<b>THPA N109 TOP HINGED WINDOW</b>	
		<b>VERTICAL BAR 78 (48 mm glass)</b>	
<i>Revis.</i>	<i>Date</i>	<i>Size</i>	<i>Draw.</i>
		1 : 1	02.01.2018
<i>Verif.</i>	<i>Date</i>	<i>Drawing n.</i>	
		THPA - 48 - vs78 - 01	



**TOP HINGED PASSIVE WINDOW WITH ALU CLAD**

**NORWOOD SP.ZO.O.**

Ul. Rataja 6, Rusocin  
 83-031 Łęgowo  
 +48 692 22 00  
 biuro@norwood.pl

<i>Description</i>		<b>THPA N109 TOP HINGED WINDOW</b>	
		<b>HORIZONTAL BAR 78 (48 mm glass)</b>	
<i>Revis.</i>	<i>Date</i>	<i>Size</i>	<i>Drw.</i>
		1 : 1	02.01.2018
<i>Verif.</i>	<i>Date</i>	<i>Drawing n.</i>	
		<b>THPA - 48 - hs78 - 01</b>	