

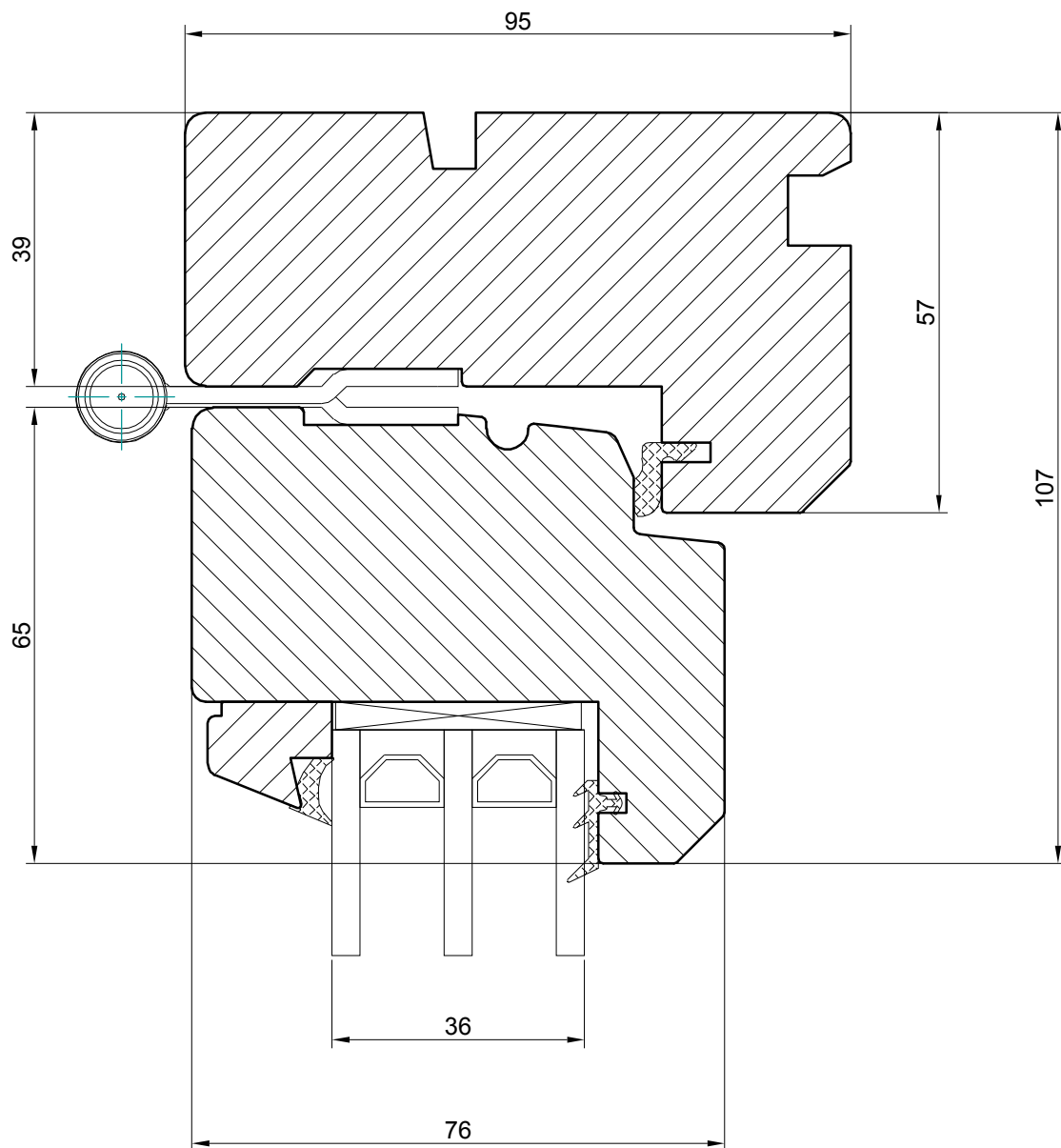
TOP HINGED WINDOW

NORWOOD SP.ZO.O.

Ul. Rataja 6, Rusocin
83-031 Łęgowo
+48 692 22 00
biuro@norwood.pl

Description **TH N95 TOP HINGED WINDOW
HEAD SECTION (24 mm glass)**

| | | | | |
|---------------|-------------|-------------------------------------|-------------|------------------------|
| <i>Revis.</i> | <i>Date</i> | <i>Size</i> 1:1 | <i>Drw.</i> | <i>Date</i> 02.01.2018 |
| <i>Verif.</i> | <i>Date</i> | <i>Drawing n.</i> TH - 24 - he - 01 | | |



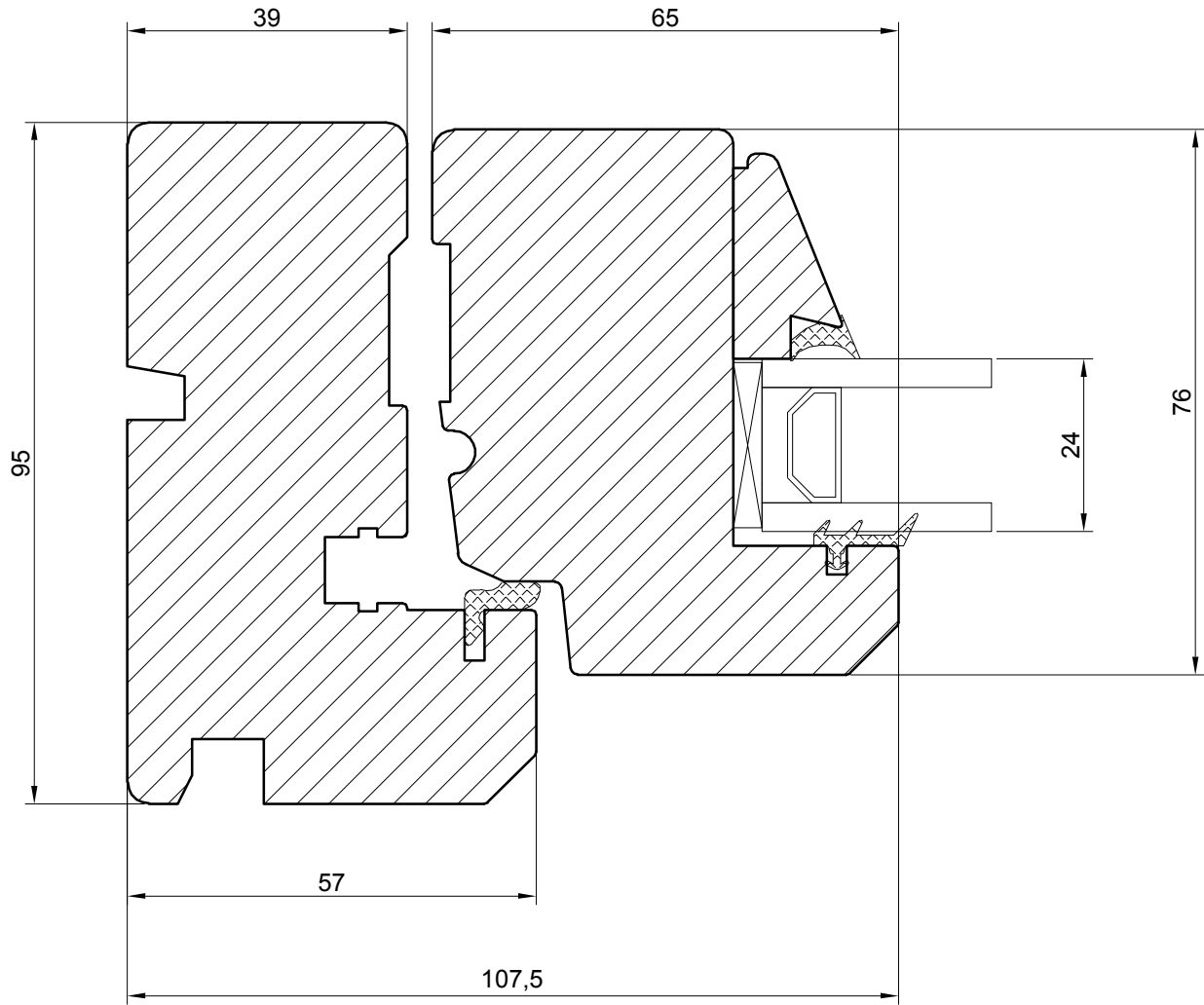
TOP HINGED WINDOW

NORWOOD SP.ZO.O.

Ul. Rataja 6, Rusocin
83-031 Łęgowo
+48 692 22 00
biuro@norwood.pl

Description **TH N95 TOP HINGED WINDOW
HEAD SECTION (36 mm glass)**

| | | | | | | |
|--------|------|------------|-------------------|------|------|------------|
| Revis. | Date | Size | 1:1 | Drw. | Date | 02.01.2018 |
| Verif. | Date | Drawing n. | TH - 36 - he - 01 | | | |

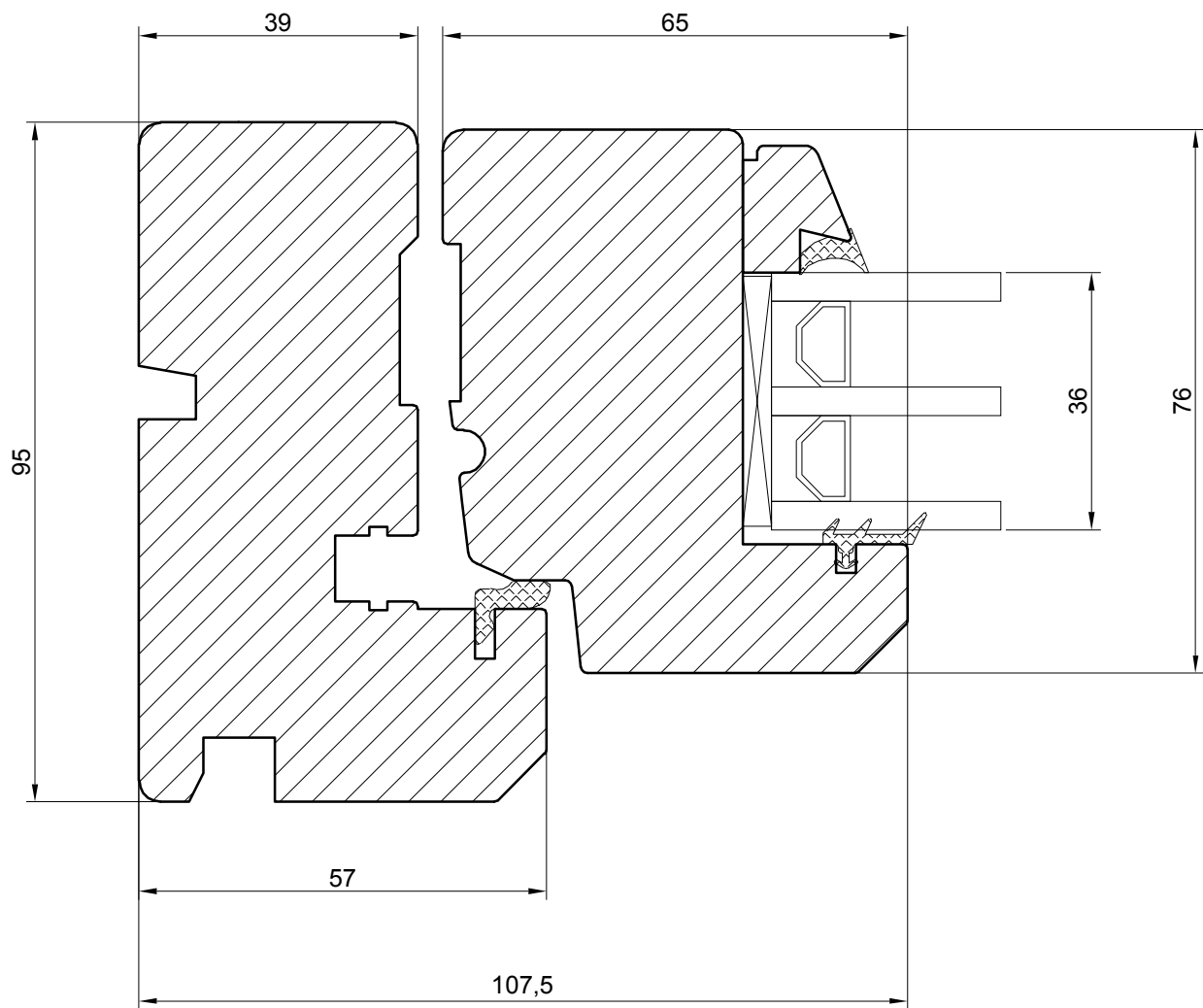


TOP HINGED WINDOW

NORWOOD SP.ZO.O.

Ul. Rataja 6, Rusocin
83-031 Łęgowo
+48 692 22 00
biuro@norwood.pl

| | | | |
|--------------------|-------------|-----------------------------------|------------------------------------|
| <i>Description</i> | | TH N95 TOP HINGED WINDOW | |
| | | JAMB SECTION (24 mm glass) | |
| <i>Revis.</i> | <i>Date</i> | <i>Size</i> 1:1 | <i>Drw.</i> <i>Date</i> 02.01.2018 |
| <i>Verif.</i> | <i>Date</i> | <i>Drawing n.</i> | TH - 24 - se - 01 |

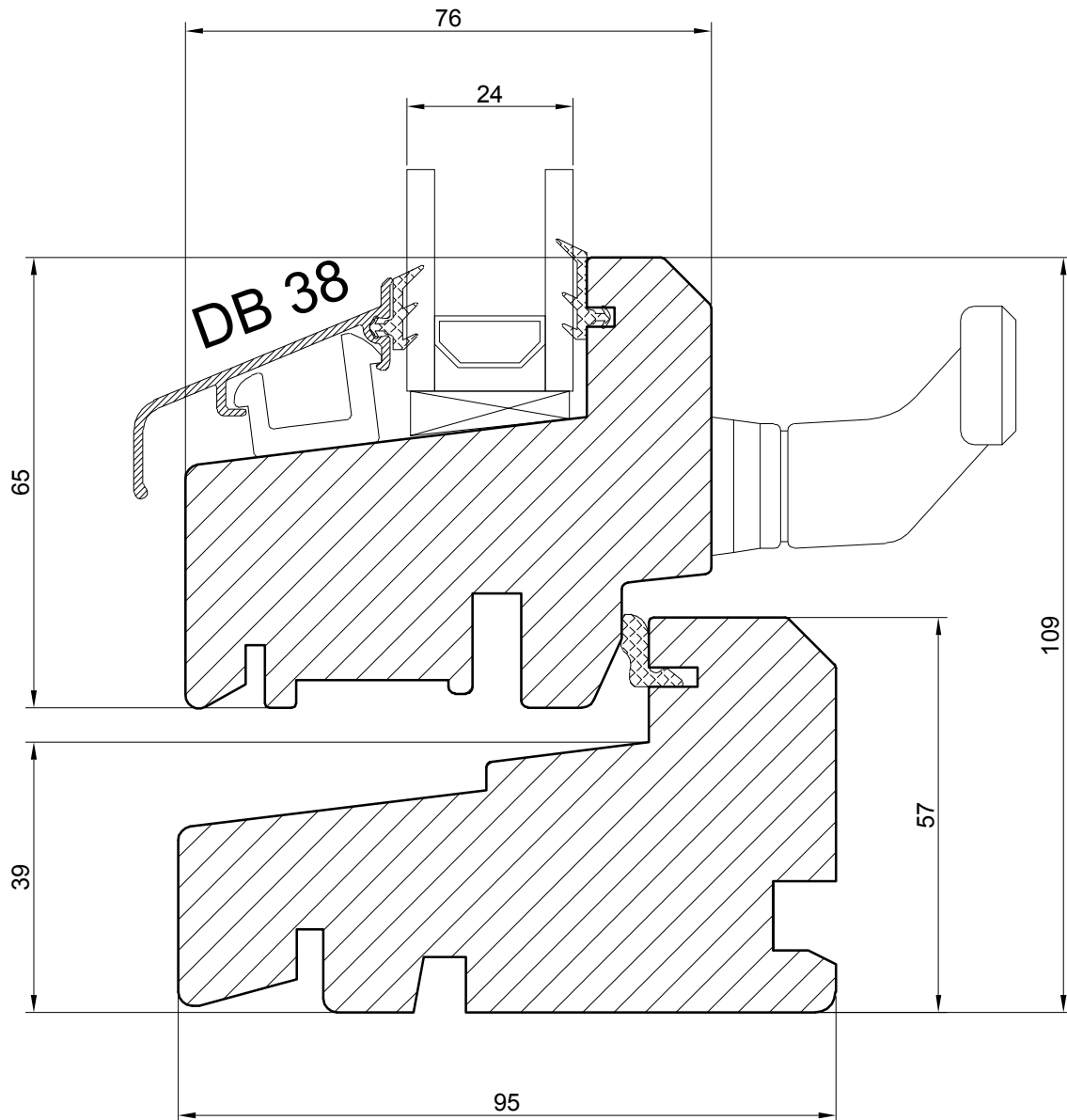


TOP HINGED WINDOW

NORWOOD SP.ZO.O.

Ul. Rataja 6, Rusocin
83-031 Łęgowo
+48 692 22 00
biuro@norwood.pl

| | | | |
|--------------------|-------------|--|------------------------------------|
| <i>Description</i> | | TH N95 TOP HINGED WINDOW | |
| | | JAMB SECTION (36 mm glass) | |
| <i>Revis.</i> | <i>Date</i> | <i>Size</i> 1:1 | <i>Drw.</i> <i>Date</i> 02.01.2018 |
| <i>Verif.</i> | <i>Date</i> | <i>Drawing n.</i> TH - 36 - se - 01 | |

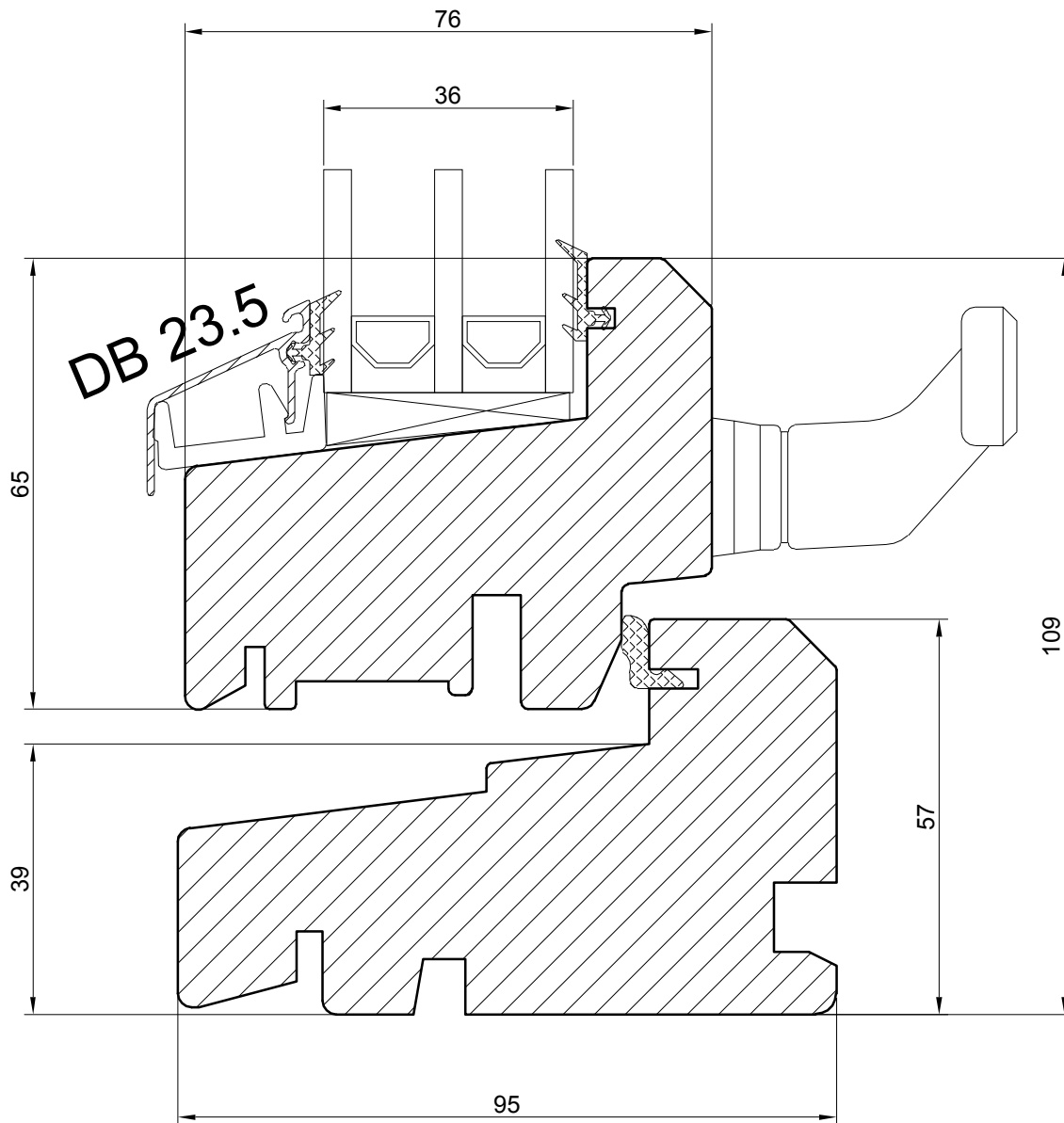


TOP HINGED WINDOW

NORWOOD SP.ZO.O.

Ul. Rataja 6, Rusocin
83-031 Łęgowo
+48 692 22 00
biuro@norwood.pl

| | | | |
|--|-------------|-------------------------------|------------------------------------|
| <i>Description</i> TH N95 TOP HINGED WINDOW | | | |
| SILL SECTION (24 mm glass) | | | |
| <i>Revis.</i> | <i>Date</i> | <i>Size</i> 1:1 | <i>Drw.</i> <i>Date</i> 02.01.2018 |
| <i>Verif.</i> | <i>Date</i> | <i>Drawing n.</i> TH-24-sl-01 | |



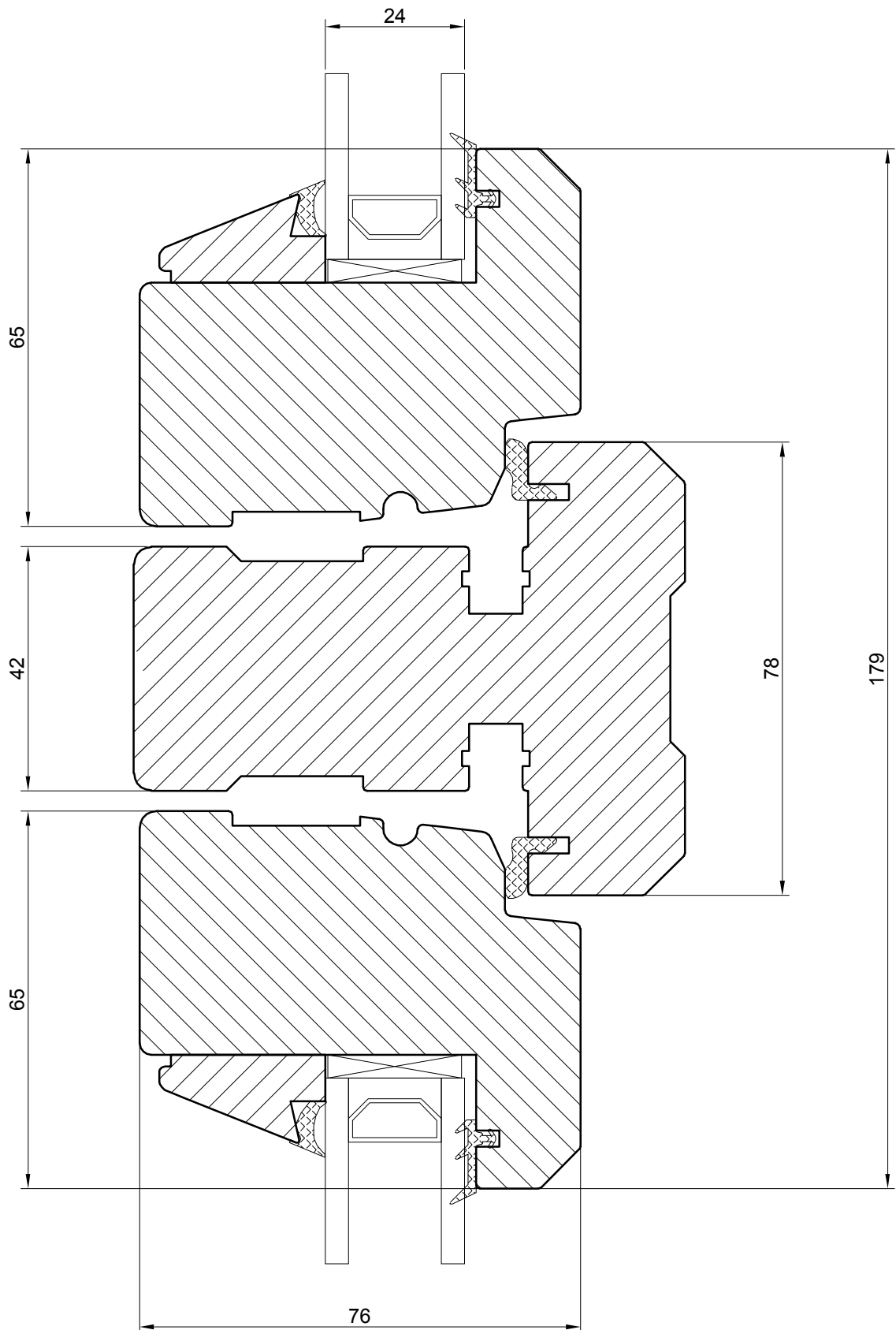
TOP HINGED WINDOW

NORWOOD SP.ZO.O.

Ul. Rataja 6, Rusocin
83-031 Łęgowo
+48 692 22 00
biuro@norwood.pl

Description **TH N95 TOP HINGED WINDOW
SILL SECTION (36 mm glass)**

| | | | | |
|---------------|-------------|-------------------|-------------------|------------------------|
| <i>Revis.</i> | <i>Date</i> | <i>Size</i> 1:1 | <i>Drw.</i> | <i>Date</i> 02.01.2018 |
| <i>Verif.</i> | <i>Date</i> | <i>Drawing n.</i> | TH - 36 - sl - 01 | |



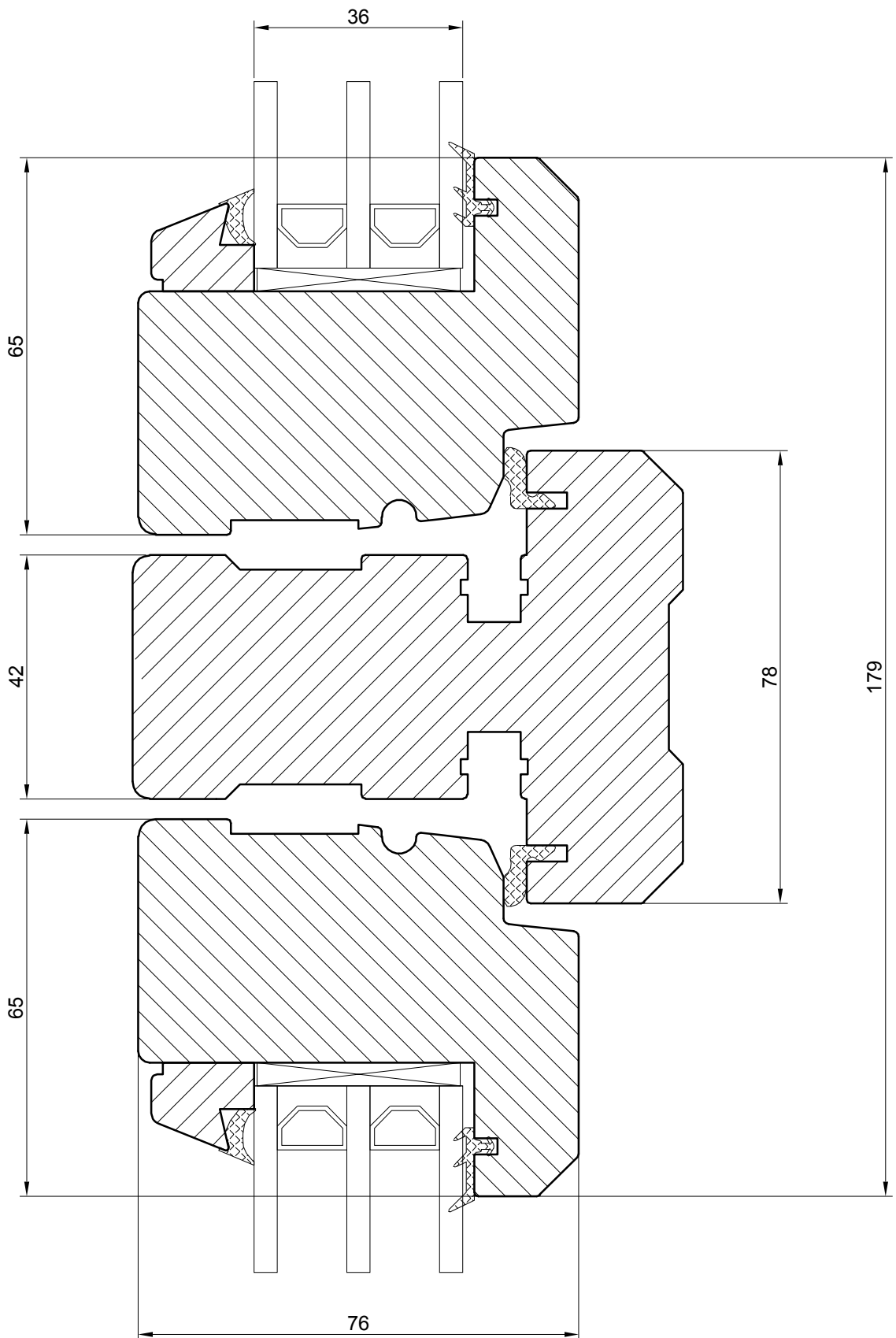
TOP HINGED WINDOW

NORWOOD SP.ZO.O.

Ul. Rataja 6, Rusocin
83-031 Łęgowo
+48 692 22 00
biuro@norwood.pl

Description **TH N95 TOP HINGED WINDOW
MULLION (24 mm glass)**

| | | | | | | |
|--------|------|------------|-------------------|------|------|------------|
| Revis. | Date | Size | 1:1 | Drw. | Date | 02.01.2018 |
| Verif. | Date | Drawing n. | TH - 24 - ml - 01 | | | |



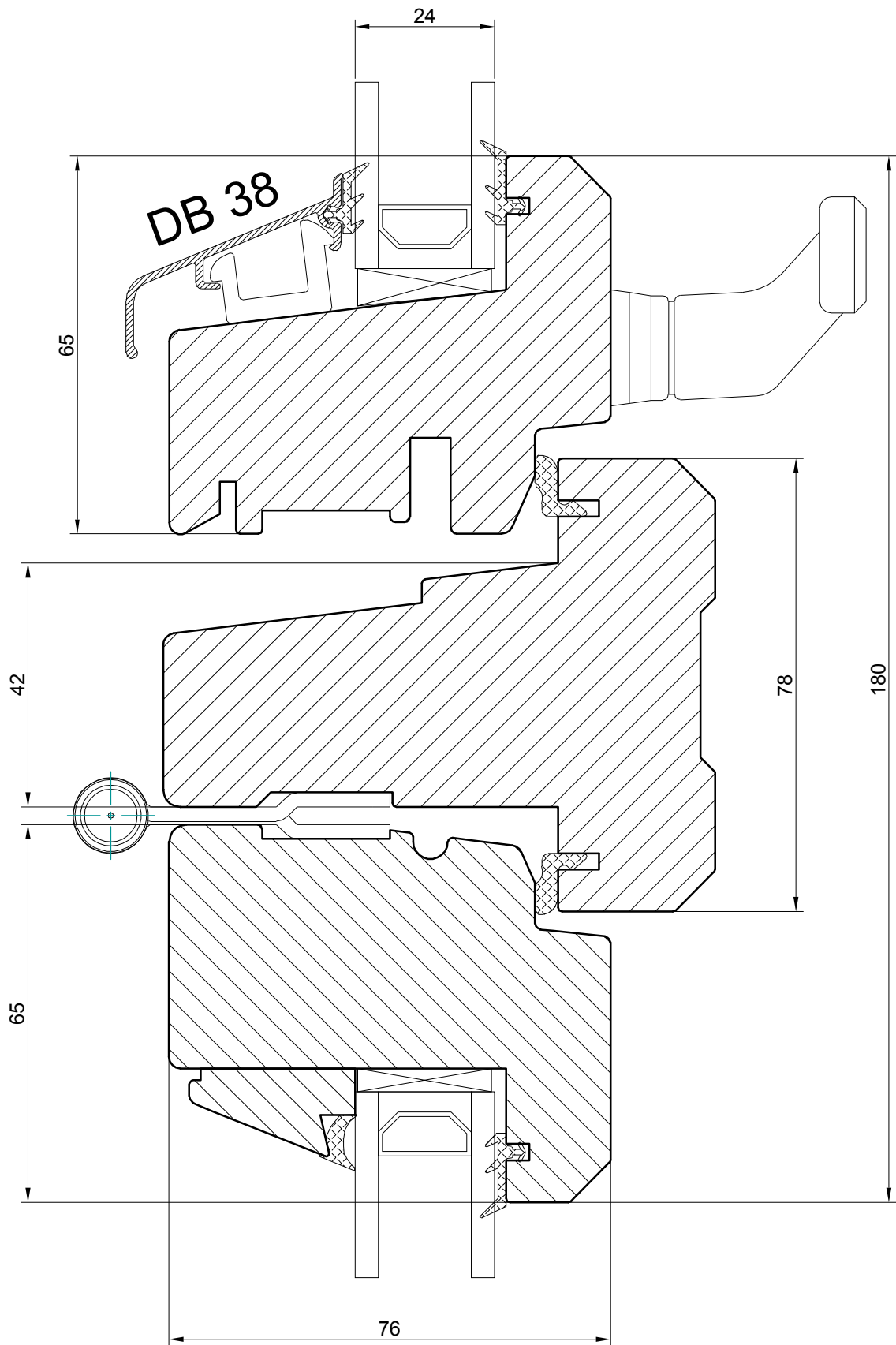
TOP HINGED WINDOW

NORWOOD SP.ZO.O.

Ul. Rataja 6, Rusocin
83-031 Łęgowo
+48 692 22 00
biuro@norwood.pl

Description **TH N95 TOP HINGED WINDOW
MULLION (36 mm glass)**

| | | | | | | |
|--------|------|------------|-------------------|------|------|------------|
| Revis. | Date | Size | 1 : 1 | Drw. | Date | 02.01.2018 |
| Verif. | Date | Drawing n. | TH - 36 - ml - 01 | | | |



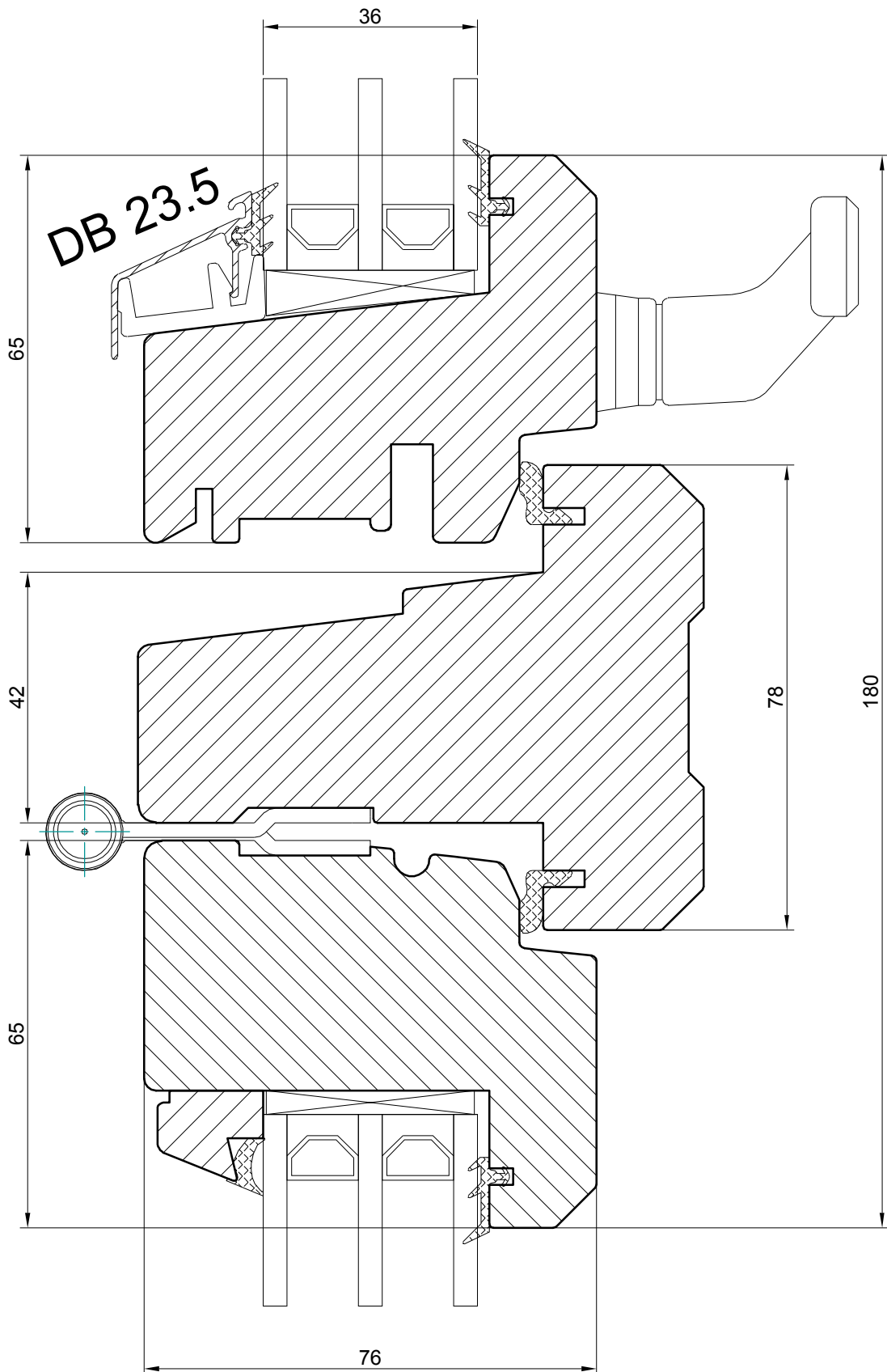
TOP HINGED WINDOW

NORWOOD SP.ZO.O.

Ul. Rataja 6, Rusocin
83-031 Łęgowo
+48 692 22 00
biuro@norwood.pl

Description **TH N95 TOP HINGED WINDOW
TRANSOM (24 mm glass)**

| | | | | | | |
|--------|------|------------|-------------------|------|------|------------|
| Revis. | Date | Size | 1:1 | Drw. | Date | 02.01.2018 |
| Verif. | Date | Drawing n. | TH - 24 - ts - 01 | | | |



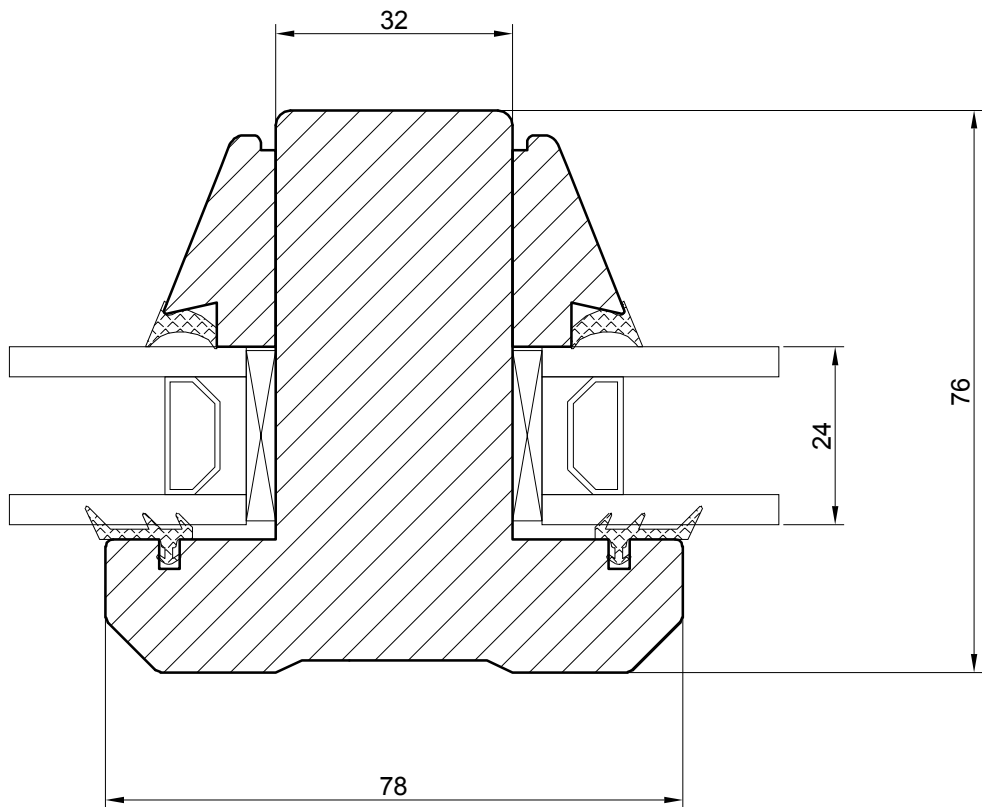
TOP HINGED WINDOW

NORWOOD SP.ZO.O.

Ul. Rataja 6, Rusocin
83-031 Łęgowo
+48 692 22 00
biuro@norwood.pl

Description **TH N95 TOP HINGED WINDOW
TRANSOM (36 mm glass)**

| | | | | | | |
|--------|------|------------|-------------------|------|------|------------|
| Revis. | Date | Size | 1:1 | Drw. | Date | 02.01.2018 |
| Verif. | Date | Drawing n. | TH - 36 - ts - 01 | | | |

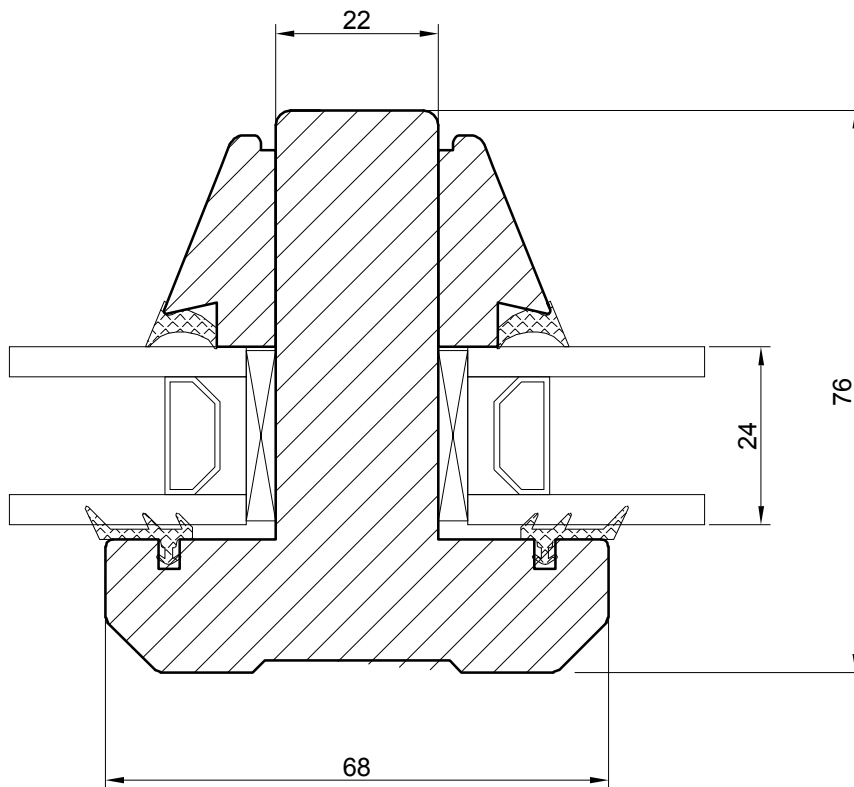


TOP HINGED WINDOW

NORWOOD SP.ZO.O.

Ul. Rataja 6, Rusocin
 83-031 Łęgowo
 +48 692 22 00
 biuro@norwood.pl

| | | | | | |
|--------------------|-------------|--------------------------------------|-------------|-------------------|--|
| <i>Description</i> | | TH N95 TOP HINGED WINDOW | | | |
| | | VERTICAL BAR 78 (24 mm glass) | | | |
| <i>Revis.</i> | <i>Date</i> | <i>Size</i> | <i>Drw.</i> | <i>Date</i> | |
| | | 1:1 | | 02.01.2018 | |
| <i>Verif.</i> | <i>Date</i> | <i>Drawing no.</i> | | | |
| | | TH - 24 - vs78 - 01 | | | |



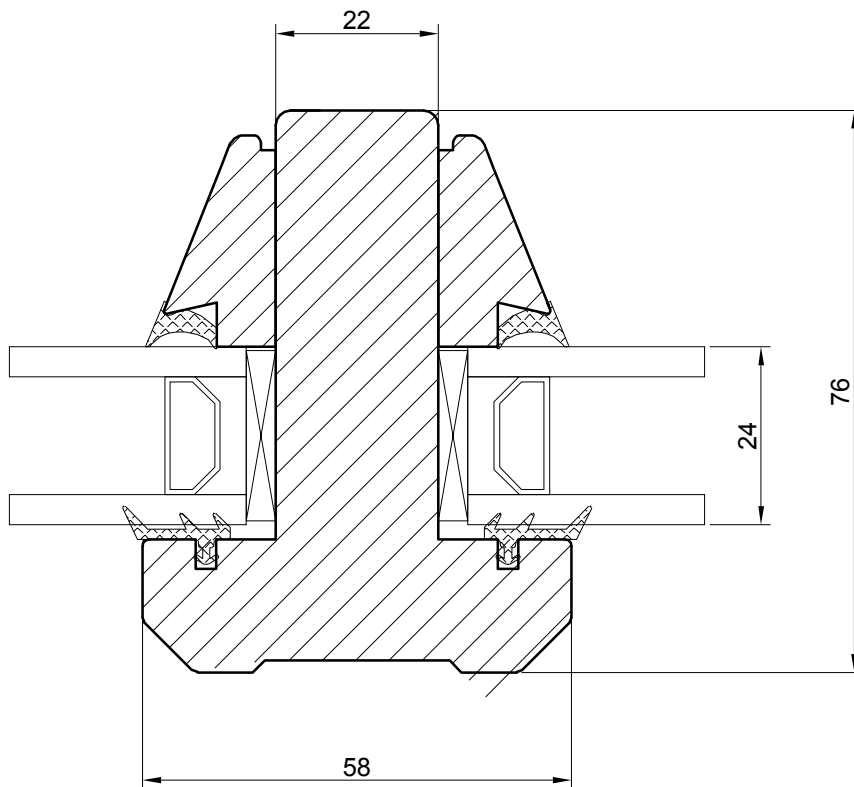
TOP HINGED WINDOW

NORWOOD SP.ZO.O.

Ul. Rataja 6, Rusocin
83-031 Łęgowo
+48 692 22 00
biuro@norwood.pl

Description **TH N95 TOP HINGED WINDOW**
VERTICAL BAR 68 (24 mm glass)

| | | | | |
|---------------|-------------|------------------------|----------------------------|-------------------------------|
| <i>Revis.</i> | <i>Date</i> | <i>Size</i> 1:1 | <i>Drw.</i> | <i>Date</i> 02.01.2018 |
| <i>Verif.</i> | <i>Date</i> | <i>Drawing no.</i> | TH - 24 - vs68 - 01 | |



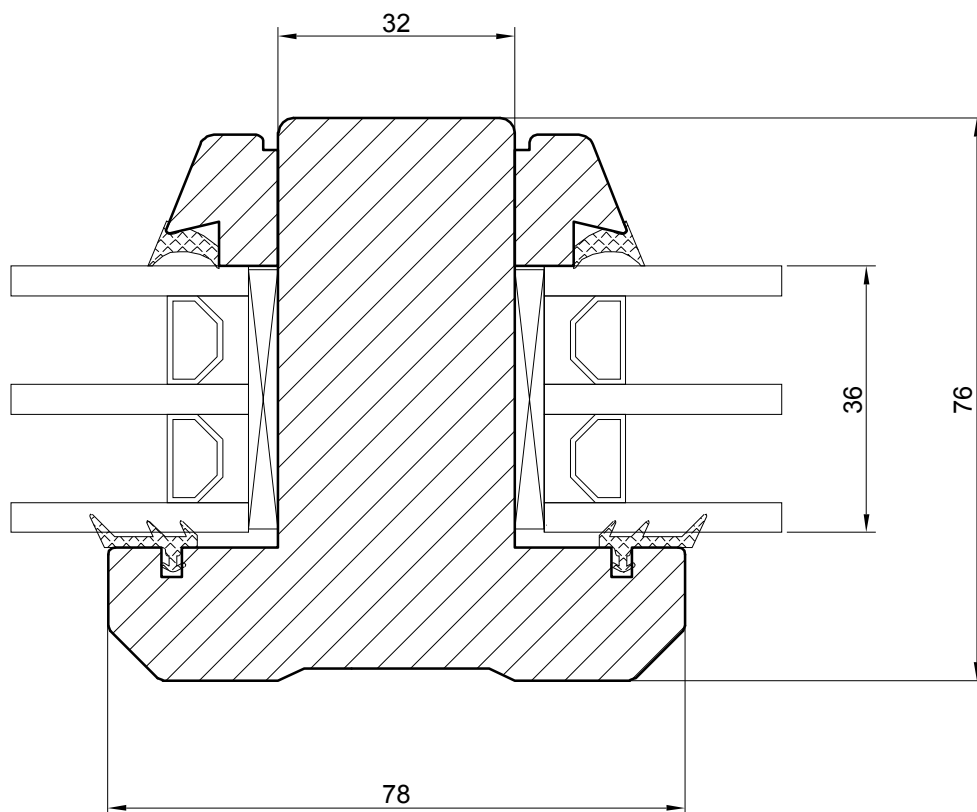
TOP HINGED WINDOW

NORWOOD SP.ZO.O.

Ul. Rataja 6, Rusocin
83-031 Łęgowo
+48 692 22 00
biuro@norwood.pl

Description **TH N95 TOP HINGED WINDOW**
VERTICAL BAR 58 (24 mm glass)

| | | | | |
|---------------|-------------|------------------------|----------------------------|-------------------------------|
| <i>Revis.</i> | <i>Date</i> | <i>Size</i> 1:1 | <i>Drw.</i> | <i>Date</i> 02.01.2018 |
| <i>Verif.</i> | <i>Date</i> | <i>Drawing no.</i> | TH - 24 - vs58 - 01 | |



TOP HINGED WINDOW

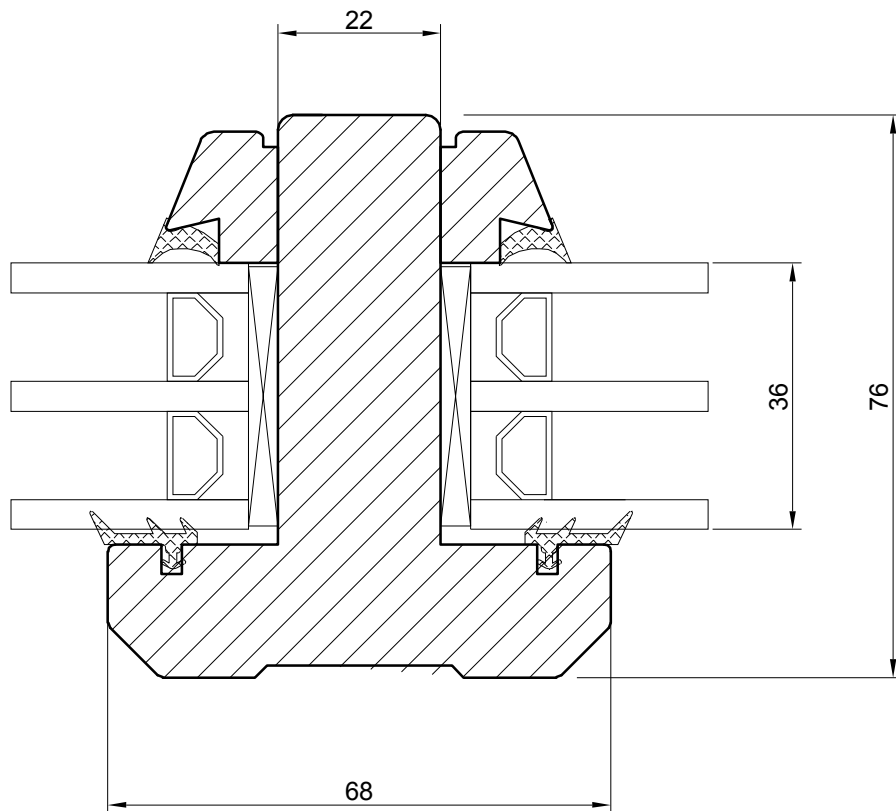
NORWOOD SP.ZO.O.

Ul. Rataja 6, Rusocin
83-031 Łęgowo
+48 692 22 00
biuro@norwood.pl

Description

TH N95 TOP HINGED WINDOW
VERTICAL BAR 78 (36 mm glass)

| | | | | |
|---------------|-------------|--------------------|---------------------|------------------------|
| <i>Revis.</i> | <i>Date</i> | <i>Size</i> 1:1 | <i>Drw.</i> | <i>Date</i> 02.01.2018 |
| <i>Verif.</i> | <i>Date</i> | <i>Drawing no.</i> | TH - 36 - vs78 - 01 | |



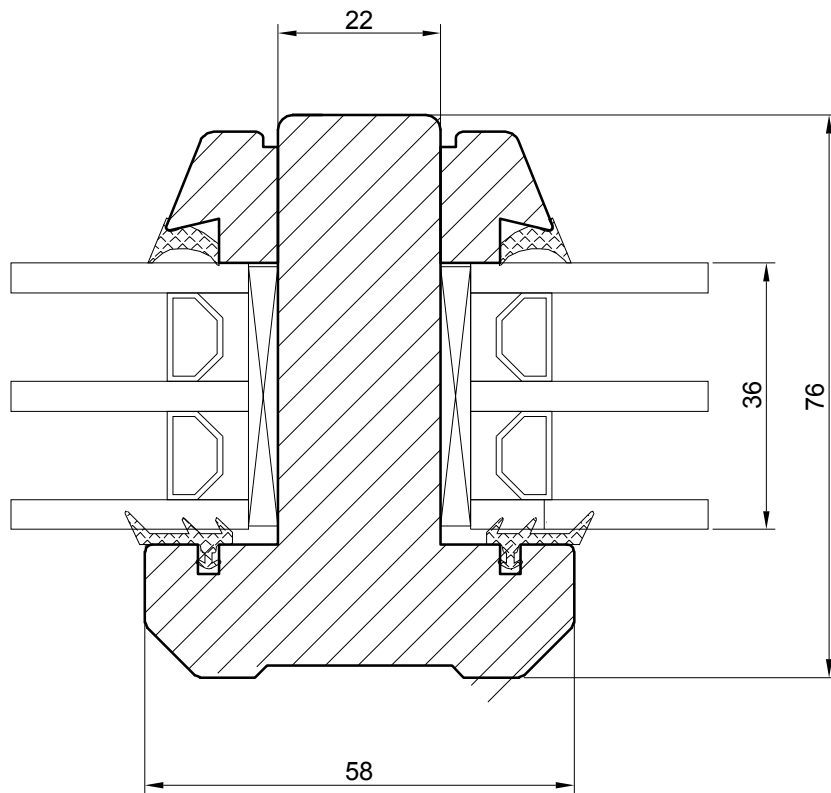
TOP HINGED WINDOW

NORWOOD SP.ZO.O.

Ul. Rataja 6, Rusocin
83-031 Łęgowo
+48 692 22 00
biuro@norwood.pl

Description **TH N95 TOP HINGED WINDOW**
VERTICAL BAR 68 (36 mm glass)

| | | | | |
|---------------|-------------|------------------------|----------------------------|-------------------------------|
| <i>Revis.</i> | <i>Date</i> | <i>Size</i> 1:1 | <i>Drw.</i> | <i>Date</i> 02.01.2018 |
| <i>Verif.</i> | <i>Date</i> | <i>Drawing no.</i> | TH - 36 - vs68 - 01 | |



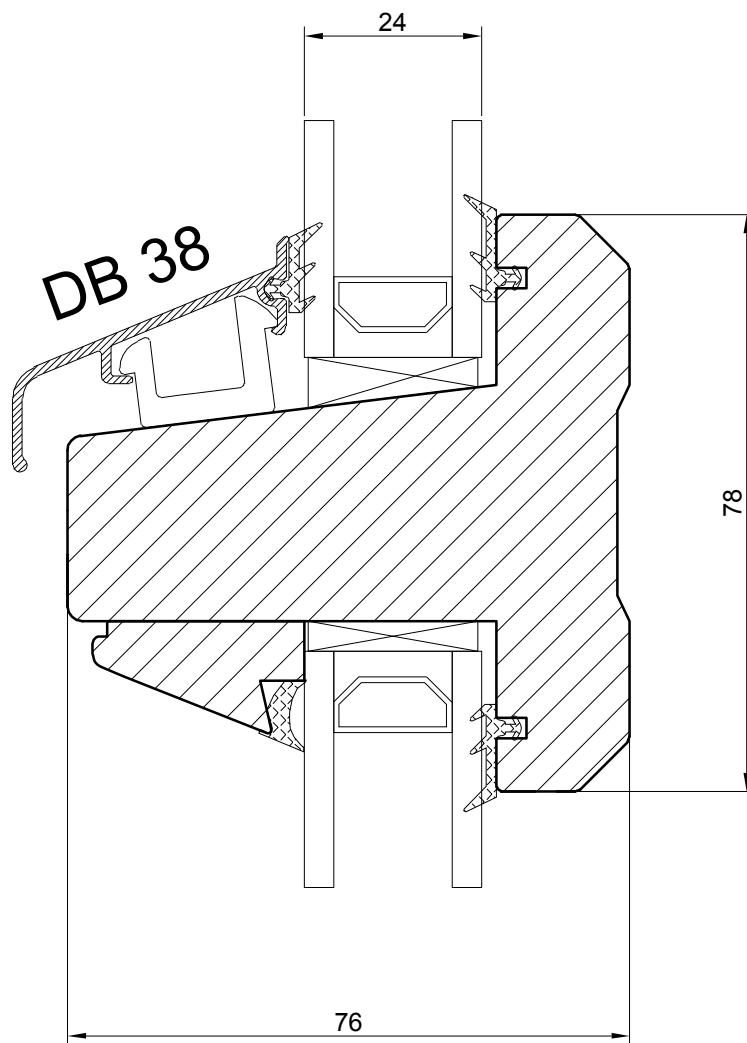
TOP HINGED WINDOW

NORWOOD SP.ZO.O.

Ul. Rataja 6, Rusocin
83-031 Łęgowo
+48 692 22 00
biuro@norwood.pl

Description **TH N95 TOP HINGED WINDOW**
VERTICAL BAR 58 (36 mm glass)

| | | | | |
|---------------|-------------|------------------------|----------------------------|-------------------------------|
| <i>Revis.</i> | <i>Date</i> | <i>Size</i> 1:1 | <i>Drw.</i> | <i>Date</i> 02.01.2018 |
| <i>Verif.</i> | <i>Date</i> | <i>Drawing no.</i> | TH - 36 - vs58 - 01 | |

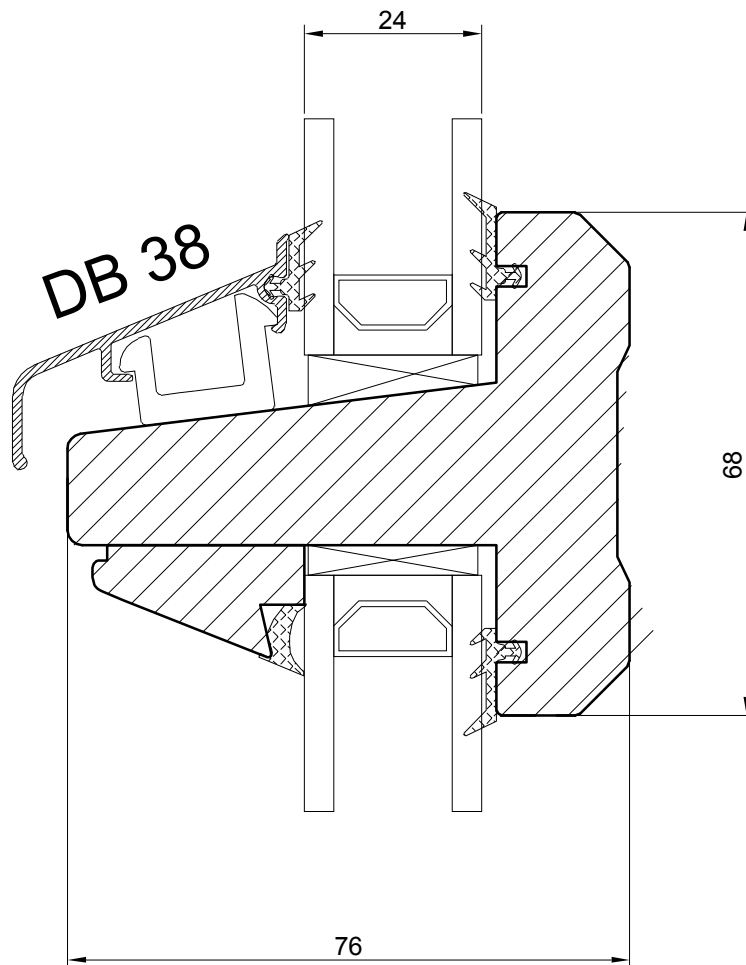


TOP HINGED WINDOW

NORWOOD SP.ZO.O.

Ul. Rataja 6, Rusocin
 83-031 Łęgowo
 +48 692 22 00
 biuro@norwood.pl

| | | | | | |
|--------------------|-------------|--|--------------|-------------------|--|
| <i>Description</i> | | TH N95 TOP HINGED WINDOW | | | |
| | | HORIZONTAL BAR 78 (24 mm glass) | | | |
| <i>Revis.</i> | <i>Date</i> | <i>Size</i> | <i>Draw.</i> | <i>Date</i> | |
| | | 1:1 | | 02.01.2018 | |
| <i>Verif.</i> | <i>Date</i> | <i>Drawing no.</i> | | | |
| | | TH - 24 - hs78 - 01 | | | |

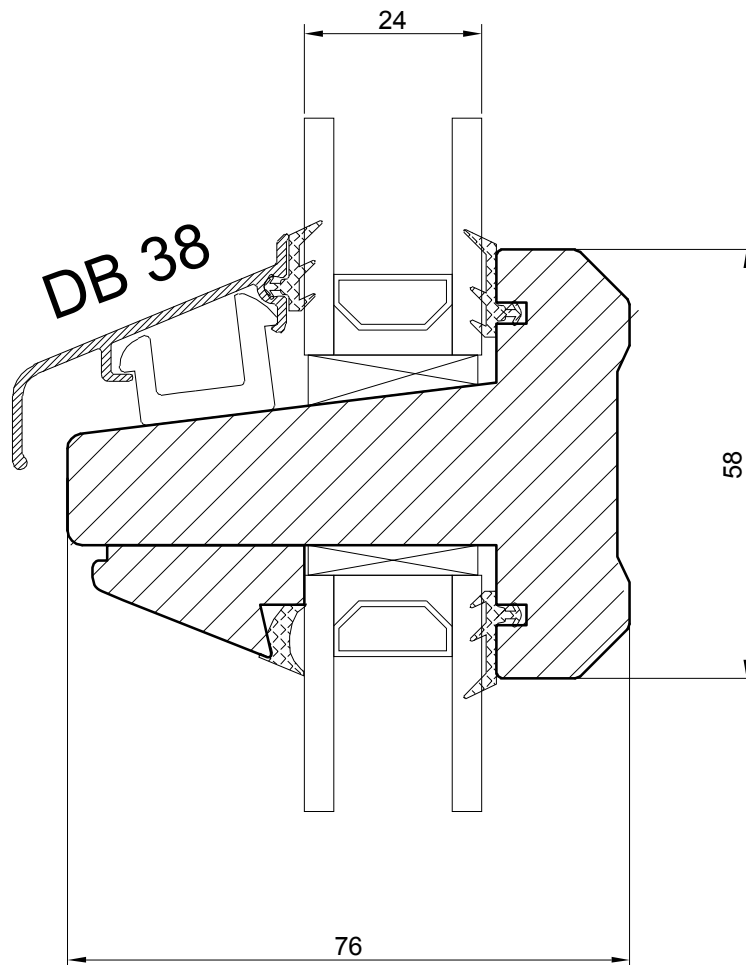


TOP HINGED WINDOW

NORWOOD SP.ZO.O.

Ul. Rataja 6, Rusocin
83-031 Łęgowo
+48 692 22 00
biuro@norwood.pl

| | | | | | |
|--------------------|-------------|--|--------------|-------------------|--|
| <i>Description</i> | | TH N95 TOP HINGED WINDOW | | | |
| | | HORIZONTAL BAR 68 (24 mm glass) | | | |
| <i>Revis.</i> | <i>Date</i> | <i>Size</i> | <i>Draw.</i> | <i>Date</i> | |
| | | 1:1 | | 02.01.2018 | |
| <i>Verif.</i> | <i>Date</i> | <i>Drawing no.</i> | | | |
| | | TH - 24 - hs68 - 01 | | | |

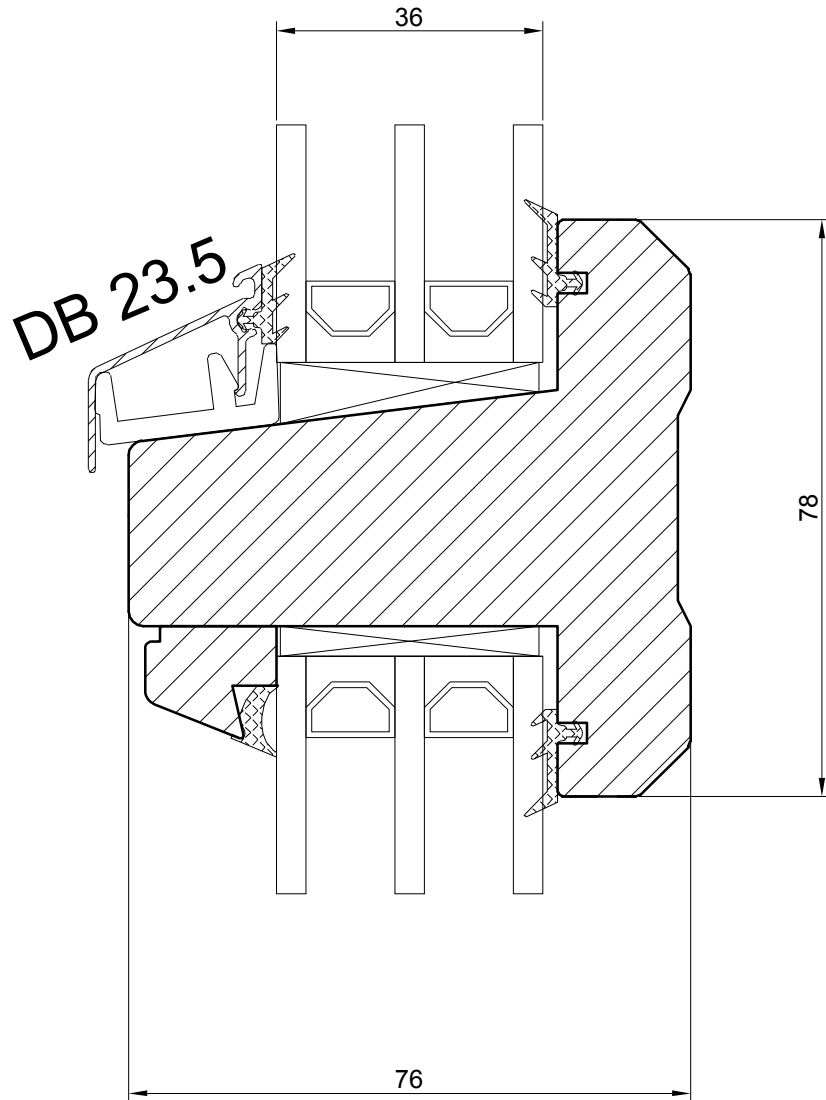


TOP HINGED WINDOW

NORWOOD SP.ZO.O.

Ul. Rataja 6, Rusocin
 83-031 Łęgowo
 +48 692 22 00
 biuro@norwood.pl

| | | | | | |
|--------------------|-------------|--|-------------|-------------------|--|
| <i>Description</i> | | TH N95 TOP HINGED WINDOW | | | |
| | | HORIZONTAL BAR 58 (24 mm glass) | | | |
| <i>Revis.</i> | <i>Date</i> | <i>Size</i> | <i>Drw.</i> | <i>Date</i> | |
| | | 1:1 | | 02.01.2018 | |
| <i>Verif.</i> | <i>Date</i> | <i>Drawing no.</i> | | | |
| | | TH - 24 - hs58 - 01 | | | |

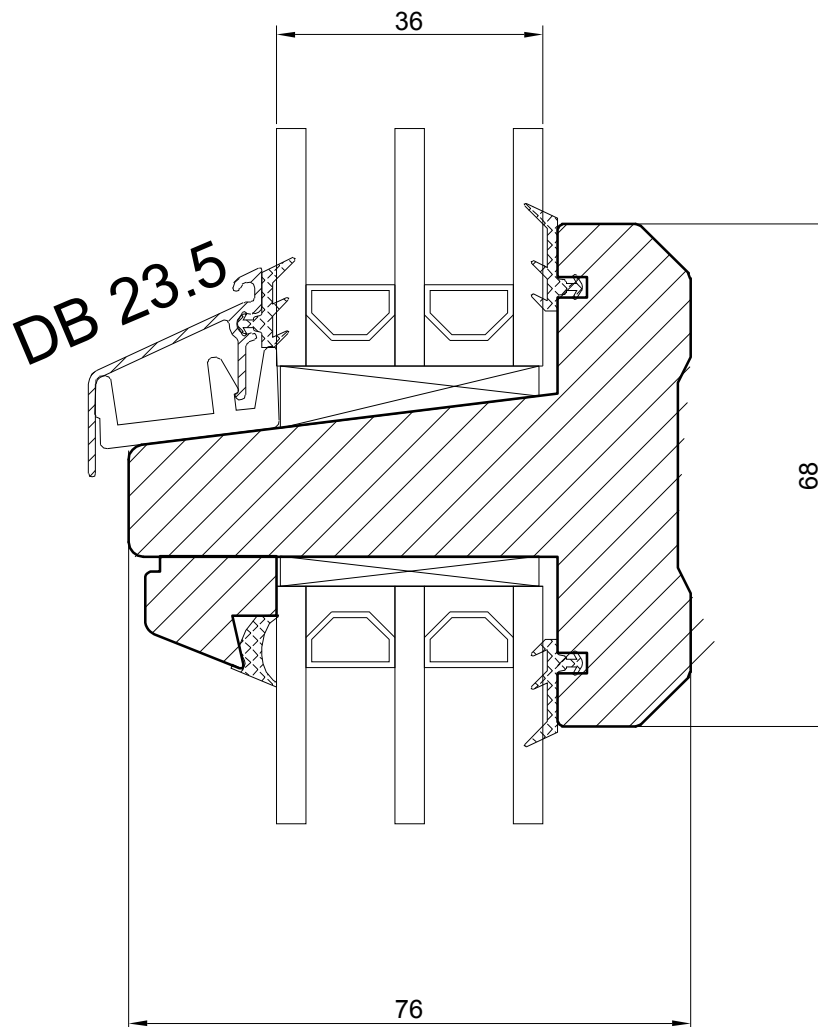


TOP HINGED WINDOW

NORWOOD SP.ZO.O.

Ul. Rataja 6, Rusocin
 83-031 Łęgowo
 +48 692 22 00
 biuro@norwood.pl

| | | | | | |
|--------------------|-------------|--|-------------|-------------------|--|
| <i>Description</i> | | TH N95 TOP HINGED WINDOW | | | |
| | | HORIZONTAL BAR 78 (36 mm glass) | | | |
| <i>Revis.</i> | <i>Date</i> | <i>Size</i> | <i>Drw.</i> | <i>Date</i> | |
| | | 1:1 | | 02.01.2018 | |
| <i>Verif.</i> | <i>Date</i> | <i>Drawing no.</i> | | | |
| | | TH - 36 - hs78 - 01 | | | |



TOP HINGED WINDOW

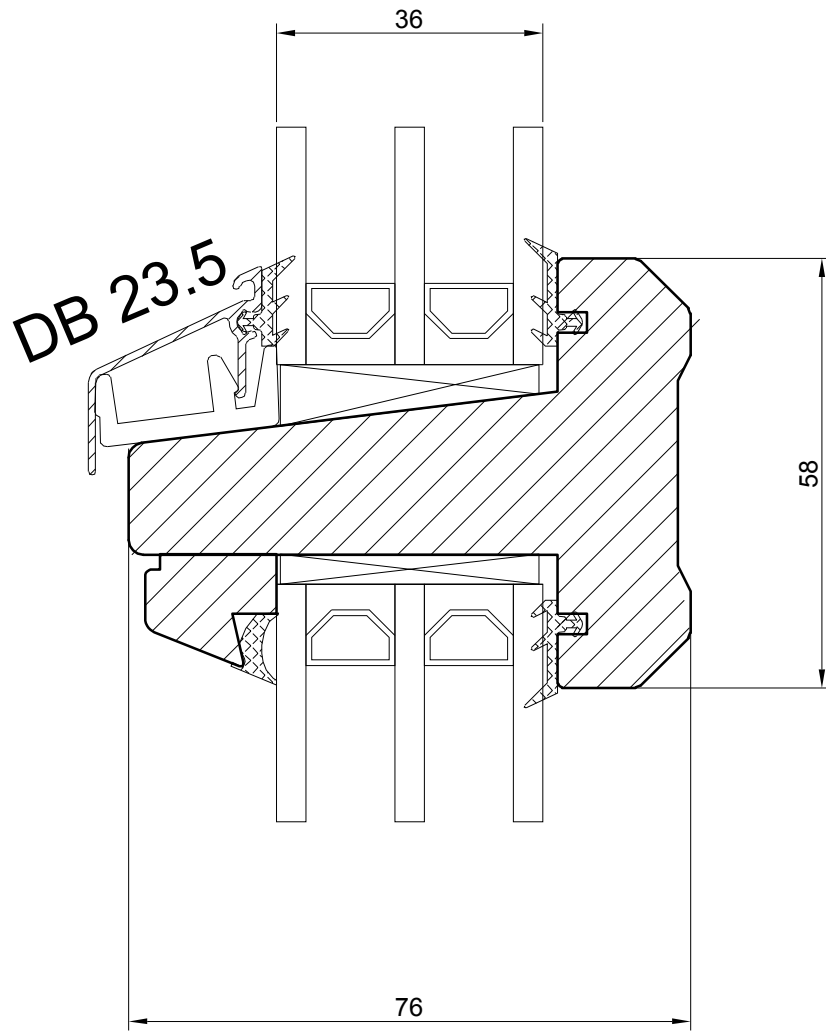
NORWOOD SP.ZO.O.

Ul. Rataja 6, Rusocin
83-031 Łęgowo
+48 692 22 00
biuro@norwood.pl

Description

**TH N95 TOP HINGED WINDOW
HORIZONTAL BAR 68 (36 mm glass)**

| | | | | |
|---------------|-------------|------------------------|----------------------------|-------------------------------|
| <i>Revis.</i> | <i>Date</i> | <i>Size</i> 1:1 | <i>Drw.</i> | <i>Date</i> 02.01.2018 |
| <i>Verif.</i> | <i>Date</i> | <i>Drawing no.</i> | TH - 36 - hs68 - 01 | |



TOP HINGED WINDOW

NORWOOD SP.ZO.O.

Ul. Rataja 6, Rusocin
 83-031 Łęgowo
 +48 692 22 00
 biuro@norwood.pl

| | | | | | |
|--------------------|-------------|--|-------------|-------------------|--|
| <i>Description</i> | | TH N95 TOP HINGED WINDOW | | | |
| | | HORIZONTAL BAR 58 (36 mm glass) | | | |
| <i>Revis.</i> | <i>Date</i> | <i>Size</i> | <i>Drw.</i> | <i>Date</i> | |
| | | 1:1 | | 02.01.2018 | |
| <i>Verif.</i> | <i>Date</i> | <i>Drawing no.</i> | | | |
| | | TH - 36 - hs58 - 01 | | | |